

FAG

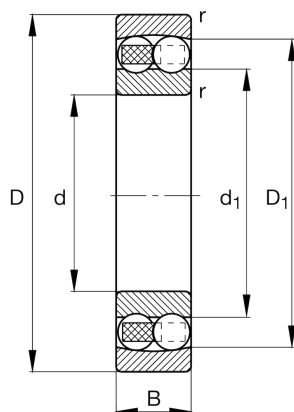
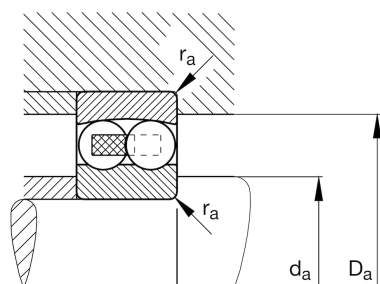
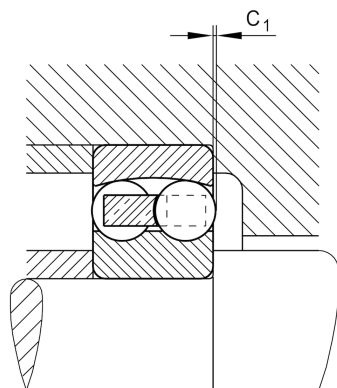
## ★ 1219-M

Self-aligning ball bearing

Schaeffler ID:  
0190057410000Self-aligning ball bearing 12..-M, solid  
brass cage

★ Preferred product

## Technical information



## Temperature range

$T_{min}$	-30 °C	Operating temperature min.
$T_{max}$	150 °C	Operating temperature max.
	3,32 kg	Weight

## Main Dimensions &amp; Performance Data

d	95 mm	Bore diameter
D	170 mm	Outside diameter
B	32 mm	Width
$r_{min}$	2,1 mm	Minimum chamfer dimension
$C_r$	64.000 N	Basic dynamic load rating, radial
$C_{0r}$	27.000 N	Basic static load rating, radial
$C_{ur}$	1.490 N	Fatigue load limit, radial
$n_G$	6.300 1/min	Limiting speed
$n_{gr}$	4.600 1/min	Reference speed

## Dimensions

$D_1$	148,2 mm	Shoulder diameter outer ring
$d_1$	120,5 mm	Shoulder diameter inner ring

## Mounting dimensions

$d_{a min}$	107 mm	Minimum diameter shaft shoulder
$D_{a max}$	158 mm	Maximum diameter of housing shoulder
$r_{a max}$	2,1 mm	Maximum fillet radius

## Calculation factors

e	0,17	Limiting value of $F_a/F_r$ for the applicability of diff. Values of factors X and Y
$Y_1$	3,74	Dynamic axial load factor
$Y_2$	5,79	Dynamic axial load factor
$Y_0$	3,92	Static axial load factor