

FAG

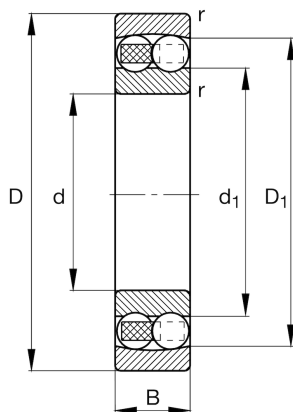
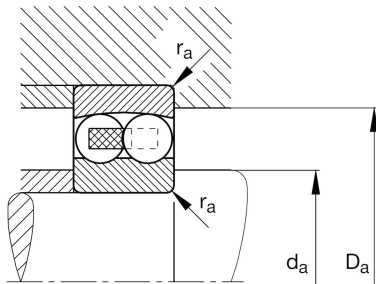
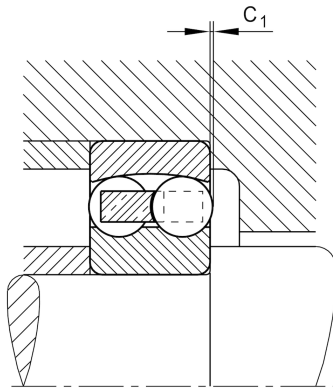
## ★ 1224-M

## Self-aligning ball bearing

Schaeffler ID:  
0167005700000Self-aligning ball bearing 12..-M, solid  
brass cage

★ Preferred product

## Technical information



## Temperature range

$T_{\min}$	-30 °C	Operating temperature min.
$T_{\max}$	150 °C	Operating temperature max.
	6,936 kg	Weight

## Main Dimensions &amp; Performance Data

d	120 mm	Bore diameter
D	215 mm	Outside diameter
B	42 mm	Width
$r_{\min}$	2,1 mm	Minimum chamfer dimension
$C_r$	121.000 N	Basic dynamic load rating, radial
$C_{0r}$	53.000 N	Basic static load rating, radial
$C_{ur}$	2.600 N	Fatigue load limit, radial
$n_G$	4.750 1/min	Limiting speed
$n_{gr}$	4.200 1/min	Reference speed

## Dimensions

$D_1$	187,3 mm	Shoulder diameter outer ring
$d_1$	149 mm	Shoulder diameter inner ring
$C_1$	1,8 mm	Overhang rolling element

## Mounting dimensions

$d_{a \min}$	132 mm	Minimum diameter shaft shoulder
$D_{a \max}$	203 mm	Maximum diameter of housing shoulder
$r_{a \max}$	2,1 mm	Maximum fillet radius

## Calculation factors

e	0,2	Limiting value of $F_a/F_r$ for the applicability of diff. Values of factors X and Y
$Y_1$	3,11	Dynamic axial load factor
$Y_2$	4,81	Dynamic axial load factor
$Y_0$	3,25	Static axial load factor