



FAG

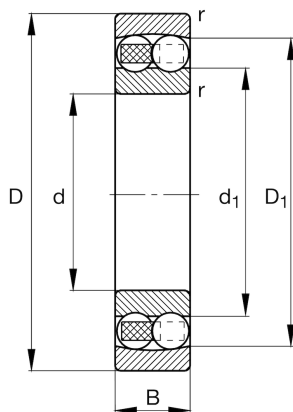
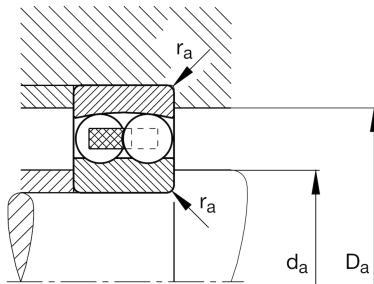
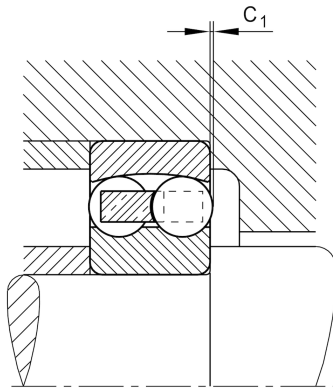
★ 1226-M

Self-aligning ball bearing

Schaeffler ID:
0167005970000Self-aligning ball bearing 12..-M, solid
brass cage

★ Preferred product

Technical information



Temperature range

T_{\min}	-30 °C	Operating temperature min.
T_{\max}	150 °C	Operating temperature max.
	8,396 kg	Weight

Main Dimensions & Performance Data

d	130 mm	Bore diameter
D	230 mm	Outside diameter
B	46 mm	Width
r_{\min}	3 mm	Minimum chamfer dimension
C_r	125.000 N	Basic dynamic load rating, radial
C_{0r}	56.000 N	Basic static load rating, radial
C_{ur}	2.650 N	Fatigue load limit, radial
n_G	4.450 1/min	Limiting speed
n_{gr}	4.000 1/min	Reference speed

Dimensions

D_1	200 mm	Shoulder diameter outer ring
d_1	161,5 mm	Shoulder diameter inner ring
C_1	0,6 mm	Overhang rolling element

Mounting dimensions

$d_{a \min}$	144 mm	Minimum diameter shaft shoulder
$D_{a \max}$	216 mm	Maximum diameter of housing shoulder
$r_{a \max}$	2,5 mm	Maximum fillet radius

Calculation factors

e	0,19	Limiting value of F_a/F_r for the applicability of diff. Values of factors X and Y
Y_1	3,23	Dynamic axial load factor
Y_2	5	Dynamic axial load factor
Y_0	3,39	Static axial load factor