



FAG

## ★ B7005-C-T-P4S-UL

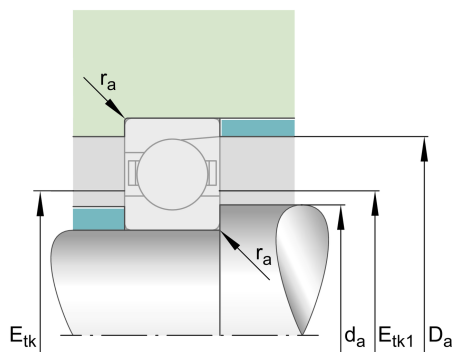
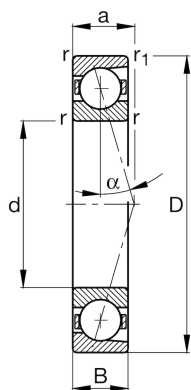
Spindle bearing

Schaeffler ID:  
0167275170000

★ Preferred product

Spindle bearings B70...-C, adjusted, in pairs or sets, contact angle  $\alpha = 15^\circ$ , restricted tolerances

## Technical information



## Temperature range

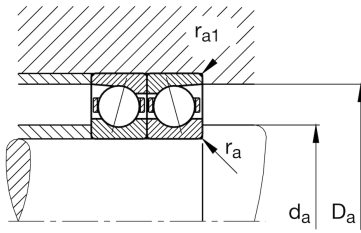
$T_{\min}$	-30 °C	Operating temperature min.
$T_{\max}$	100 °C	Operating temperature max.
	76,76 g	Weight

## Main Dimensions &amp; Performance Data

d	25 mm	Bore diameter
D	47 mm	Outside diameter
B	12 mm	Width
$C_r$	13.700 N	Basic dynamic load rating, radial
$C_{0r}$	5.900 N	Basic static load rating, radial
$C_{ur}$	620 N	Fatigue load limit, radial
$n_{G \text{ Grease}}$	34.000 1/min	Limiting speed for grease lubrication
$n_{G \text{ Oil}}$	50.000 1/min	Limiting speed for oil lubrication

## Dimensions

$r_{\min}$	0,6 mm	Minimum chamfer dimension
$r_{1 \min}$	0,6 mm	Minimum chamfer dimension
$\alpha$	15 °	Contact angle



### Mounting dimensions

$d_a$	30 mm	Diameter shaft shoulder
$d_a$	h12	Diameter shaft shoulder clearance
$D_a$	42 mm	Shoulder diameter outer ring
$D_a$	H12	Shoulder diameter outer ring clearance
$r_{a \max}$	0,6 mm	Maximum recess radius
$r_{a1 \max}$	0,3 mm	Maximum recess radius
$E_{tk \min}$	32,5 mm	Minimum diameter injection pitch
$E_{tk \max}$	34,1 mm	Maximum diameter injection pitch
$E_{tk1 \min}$	32,5 mm	Minimum diameter injection pitch
$E_{tk1 \max}$	34,1 mm	Maximum diameter injection pitch
$a$	10,8 mm	Distance between the apexes of the pressure cones

### Additional information

$F_{VL}$	73 N	Preload force light
$F_{VM}$	248 N	Preload force medium
$F_{VH}$	502 N	Preload force heavy
$K_{aEL}$	226 N	Lift-off force light
$K_{aEM}$	831 N	Lift-off force medium
$K_{aEH}$	1.807 N	Lift-off force heavy
$c_{aL}$	29,6 N/ $\mu\text{m}$	Axial rigidity light
$c_{aM}$	51,2 N/ $\mu\text{m}$	Axial rigidity medium
$c_{aH}$	73,5 N/ $\mu\text{m}$	Axial rigidity heavy