

FAG

★ B7010-C-T-P4S-UL

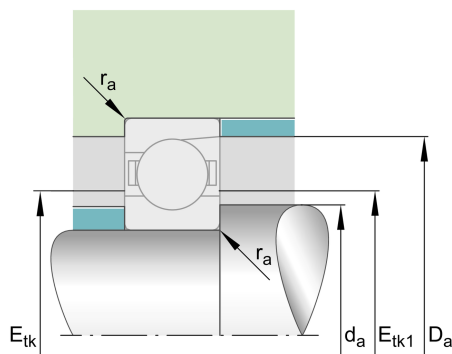
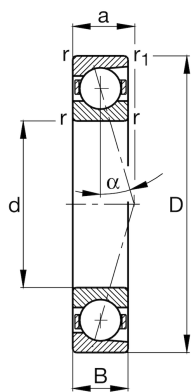
Spindle bearing

Schaeffler ID:
0190035600000

★ Preferred product

Spindle bearings B70...-C, adjusted, in pairs or sets, contact angle $\alpha = 15^\circ$, restricted tolerances

Technical information



Temperature range

T_{\min}	-30 °C	Operating temperature min.
T_{\max}	100 °C	Operating temperature max.
	0,003 kg	Weight

Main Dimensions & Performance Data

d	50 mm	Bore diameter
D	80 mm	Outside diameter
B	16 mm	Width
C_r	29.000 N	Basic dynamic load rating, radial
C_{0r}	16.100 N	Basic static load rating, radial
C_{ur}	1.710 N	Fatigue load limit, radial
$n_{G \text{ Grease}}$	18.000 1/min	Limiting speed for grease lubrication
$n_{G \text{ Oil}}$	28.000 1/min	Limiting speed for oil lubrication

Dimensions

r_{\min}	1 mm	Minimum chamfer dimension
$r_{1 \min}$	1 mm	Minimum chamfer dimension
α	15 °	Contact angle



Mounting dimensions

d_a	56 mm	Diameter shaft shoulder
d_a	h12	Diameter shaft shoulder clearance
D_a	74 mm	Shoulder diameter outer ring
D_a	H12	Shoulder diameter outer ring clearance
$r_{a \max}$	1 mm	Maximum recess radius
$r_{a1 \max}$	0,3 mm	Maximum recess radius
$E_{tk \min}$	59,3 mm	Minimum diameter injection pitch
$E_{tk \max}$	62,3 mm	Maximum diameter injection pitch
$E_{tk1 \min}$	59,3 mm	Minimum diameter injection pitch
$E_{tk1 \max}$	62,3 mm	Maximum diameter injection pitch
a	16,7 mm	Distance between the apexes of the pressure cones

Additional information

F_{VL}	148 N	Preload force light
F_{VM}	493 N	Preload force medium
F_{VH}	994 N	Preload force heavy
K_{aEL}	459 N	Lift-off force light
K_{aEM}	1.659 N	Lift-off force medium
K_{aEH}	3.579 N	Lift-off force heavy
c_{aL}	52,3 N/ μm	Axial rigidity light
c_{aM}	90,5 N/ μm	Axial rigidity medium
c_{aH}	130 N/ μm	Axial rigidity heavy