

FAG

## ★ B7012-C-T-P4S-UL

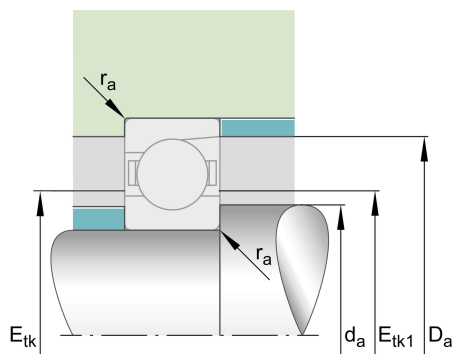
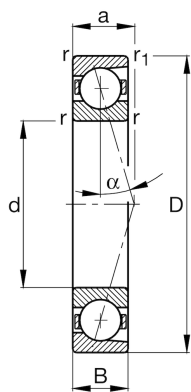
Spindle bearing

Schaeffler ID:  
0191511790000

★ Preferred product

Spindle bearings B70...-C, adjusted, in pairs or sets, contact angle  $\alpha = 15^\circ$ , restricted tolerances

## Technical information



## Temperature range

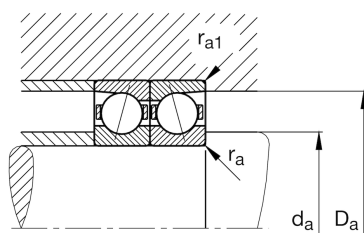
$T_{\min}$	-30 °C	Operating temperature min.
$T_{\max}$	100 °C	Operating temperature max.
	0,004 kg	Weight

## Main Dimensions &amp; Performance Data

d	60 mm	Bore diameter
D	95 mm	Outside diameter
B	18 mm	Width
$C_r$	40.000 N	Basic dynamic load rating, radial
$C_{0r}$	23.800 N	Basic static load rating, radial
$C_{ur}$	2.500 N	Fatigue load limit, radial
$n_{G \text{ Grease}}$	15.000 1/min	Limiting speed for grease lubrication
$n_{G \text{ Oil}}$	22.000 1/min	Limiting speed for oil lubrication

## Dimensions

$r_{\min}$	1,1 mm	Minimum chamfer dimension
$r_{1 \min}$	1,1 mm	Minimum chamfer dimension
$\alpha$	15 °	Contact angle



### Mounting dimensions

$d_a$	67 mm	Diameter shaft shoulder
$d_a$	h12	Diameter shaft shoulder clearance
$D_a$	88 mm	Shoulder diameter outer ring
$D_a$	H12	Shoulder diameter outer ring clearance
$r_{a \max}$	1 mm	Maximum recess radius
$r_{a1 \max}$	0,6 mm	Maximum recess radius
$E_{tk \min}$	70,9 mm	Minimum diameter injection pitch
$E_{tk \max}$	74,5 mm	Maximum diameter injection pitch
$E_{tk1 \min}$	70,9 mm	Minimum diameter injection pitch
$E_{tk1 \max}$	74,5 mm	Maximum diameter injection pitch
$a$	19,4 mm	Distance between the apexes of the pressure cones

### Additional information

$F_{VL}$	209 N	Preload force light
$F_{VM}$	687 N	Preload force medium
$F_{VH}$	1.381 N	Preload force heavy
$K_{aEL}$	647 N	Lift-off force light
$K_{aEM}$	2.304 N	Lift-off force medium
$K_{aEH}$	4.952 N	Lift-off force heavy
$c_{aL}$	64 N/ $\mu\text{m}$	Axial rigidity light
$c_{aM}$	110 N/ $\mu\text{m}$	Axial rigidity medium
$c_{aH}$	157 N/ $\mu\text{m}$	Axial rigidity heavy