

FAG

★ B7017-C-T-P4S-UL

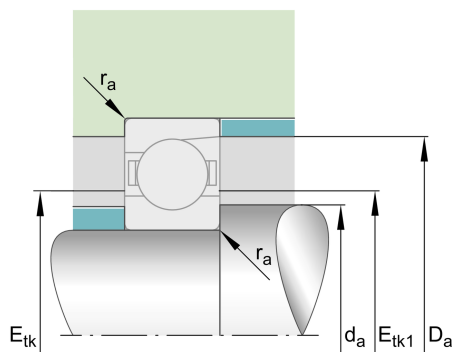
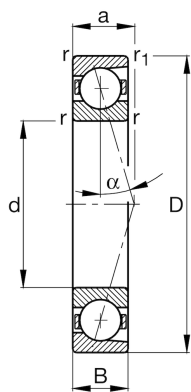
Spindle bearing

Schaeffler ID:
0191520000000

★ Preferred product

Spindle bearings B70...-C, adjusted, in pairs or sets, contact angle $\alpha = 15^\circ$, restricted tolerances

Technical information



Temperature range

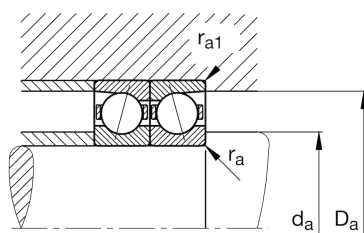
T_{\min}	-30 °C	Operating temperature min.
T_{\max}	100 °C	Operating temperature max.
	0,88 kg	Weight

Main Dimensions & Performance Data

d	85 mm	Bore diameter
D	130 mm	Outside diameter
B	22 mm	Width
C_r	66.000 N	Basic dynamic load rating, radial
C_{0r}	43.500 N	Basic static load rating, radial
C_{ur}	4.450 N	Fatigue load limit, radial
$n_{G \text{ Grease}}$	11.000 1/min	Limiting speed for grease lubrication
$n_{G \text{ Oil}}$	16.000 1/min	Limiting speed for oil lubrication

Dimensions

r_{\min}	1,1 mm	Minimum chamfer dimension
$r_{1 \min}$	1,1 mm	Minimum chamfer dimension
α	15 °	Contact angle



Mounting dimensions

d_a	93 mm	Diameter shaft shoulder
d_a	h12	Diameter shaft shoulder clearance
D_a	122 mm	Shoulder diameter outer ring
D_a	H12	Shoulder diameter outer ring clearance
$r_{a \max}$	1 mm	Maximum recess radius
$r_{a1 \max}$	0,6 mm	Maximum recess radius
$E_{tk \min}$	99 mm	Minimum diameter injection pitch
$E_{tk \max}$	103,8 mm	Maximum diameter injection pitch
$E_{tk1 \min}$	99 mm	Minimum diameter injection pitch
$E_{tk1 \max}$	103,8 mm	Maximum diameter injection pitch
a	25,4 mm	Distance between the apexes of the pressure cones

Additional information

F_{VL}	367 N	Preload force light
F_{VM}	1.183 N	Preload force medium
F_{VH}	2.368 N	Preload force heavy
K_{aEL}	1.132 N	Lift-off force light
K_{aEM}	3.942 N	Lift-off force medium
K_{aEH}	8.434 N	Lift-off force heavy
c_{aL}	89,7 N/ μm	Axial rigidity light
c_{aM}	152 N/ μm	Axial rigidity medium
c_{aH}	217 N/ μm	Axial rigidity heavy