

FAG

★ B7018-C-T-P4S-UL

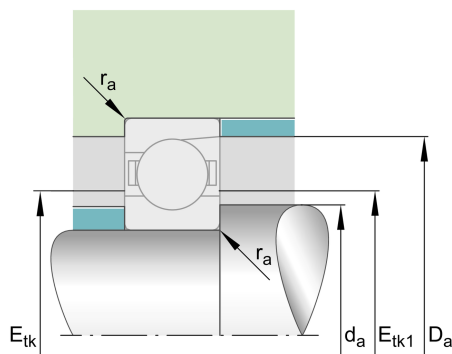
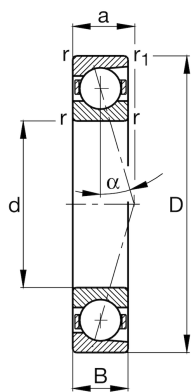
Spindle bearing

Schaeffler ID:
0191521320000

★ Preferred product

Spindle bearings B70...-C, adjusted, in pairs or sets, contact angle $\alpha = 15^\circ$, restricted tolerances

Technical information



Temperature range

| | | |
|------------|---------|----------------------------|
| T_{\min} | -30 °C | Operating temperature min. |
| T_{\max} | 100 °C | Operating temperature max. |
| | 1,14 kg | Weight |

Main Dimensions & Performance Data

| | | |
|------------------------|--------------|---------------------------------------|
| d | 90 mm | Bore diameter |
| D | 140 mm | Outside diameter |
| B | 24 mm | Width |
| C_r | 78.000 N | Basic dynamic load rating, radial |
| C_{0r} | 51.000 N | Basic static load rating, radial |
| C_{ur} | 5.000 N | Fatigue load limit, radial |
| $n_{G \text{ Grease}}$ | 10.000 1/min | Limiting speed for grease lubrication |
| $n_{G \text{ Oil}}$ | 15.000 1/min | Limiting speed for oil lubrication |

Dimensions

| | | |
|--------------|--------|---------------------------|
| r_{\min} | 1,5 mm | Minimum chamfer dimension |
| $r_{1 \min}$ | 1,5 mm | Minimum chamfer dimension |
| α | 15 ° | Contact angle |



Mounting dimensions

| | | |
|----------------|----------|---|
| d_a | 100 mm | Diameter shaft shoulder |
| d_a | h12 | Diameter shaft shoulder clearance |
| D_a | 131 mm | Shoulder diameter outer ring |
| D_a | H12 | Shoulder diameter outer ring clearance |
| $r_{a \max}$ | 1,5 mm | Maximum recess radius |
| $r_{a1 \max}$ | 0,6 mm | Maximum recess radius |
| $E_{tk \min}$ | 105,5 mm | Minimum diameter injection pitch |
| $E_{tk \max}$ | 110,9 mm | Maximum diameter injection pitch |
| $E_{tk1 \min}$ | 105,5 mm | Minimum diameter injection pitch |
| $E_{tk1 \max}$ | 110,9 mm | Maximum diameter injection pitch |
| a | 27,4 mm | Distance between the apexes of the pressure cones |

Additional information

| | | |
|-----------|-----------------------|-----------------------|
| F_{VL} | 437 N | Preload force light |
| F_{VM} | 1.395 N | Preload force medium |
| F_{VH} | 2.785 N | Preload force heavy |
| K_{aEL} | 1.347 N | Lift-off force light |
| K_{aEM} | 4.651 N | Lift-off force medium |
| K_{aEH} | 9.920 N | Lift-off force heavy |
| c_{aL} | 95,2 N/ μm | Axial rigidity light |
| c_{aM} | 161 N/ μm | Axial rigidity medium |
| c_{aH} | 229 N/ μm | Axial rigidity heavy |