

FAG

## ★ B7019-C-T-P4S-UL

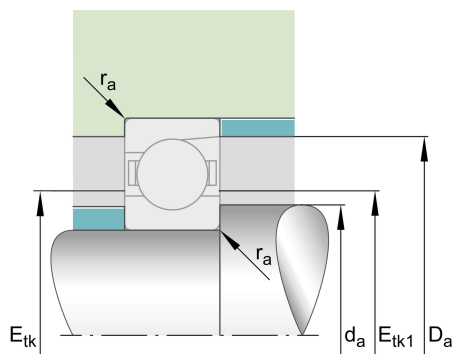
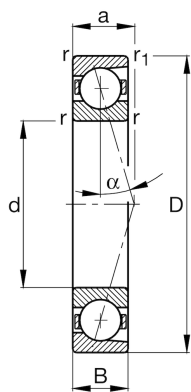
## Spindle bearing

Schaeffler ID:  
0191522720000

★ Preferred product

Spindle bearings B70...-C, adjusted, in pairs or sets, contact angle  $\alpha = 15^\circ$ , restricted tolerances

## Technical information



## Temperature range

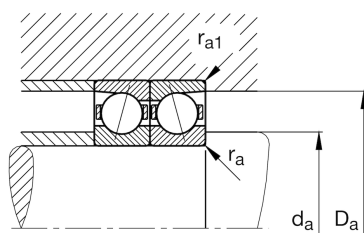
$T_{\min}$	-30 °C	Operating temperature min.
$T_{\max}$	100 °C	Operating temperature max.
	1,19 kg	Weight

## Main Dimensions &amp; Performance Data

d	95 mm	Bore diameter
D	145 mm	Outside diameter
B	24 mm	Width
$C_r$	81.000 N	Basic dynamic load rating, radial
$C_{0r}$	54.000 N	Basic static load rating, radial
$C_{ur}$	5.200 N	Fatigue load limit, radial
$n_{G \text{ Grease}}$	9.500 1/min	Limiting speed for grease lubrication
$n_{G \text{ Oil}}$	15.000 1/min	Limiting speed for oil lubrication

## Dimensions

$r_{\min}$	1,5 mm	Minimum chamfer dimension
$r_{1 \min}$	1,5 mm	Minimum chamfer dimension
$\alpha$	15 °	Contact angle



### Mounting dimensions

$d_a$	105 mm	Diameter shaft shoulder
$d_a$	h12	Diameter shaft shoulder clearance
$D_a$	136 mm	Shoulder diameter outer ring
$D_a$	H12	Shoulder diameter outer ring clearance
$r_{a \max}$	1,5 mm	Maximum recess radius
$r_{a1 \max}$	0,6 mm	Maximum recess radius
$E_{tk \min}$	110,5 mm	Minimum diameter injection pitch
$E_{tk \max}$	115,8 mm	Maximum diameter injection pitch
$E_{tk1 \min}$	110,5 mm	Minimum diameter injection pitch
$E_{tk1 \max}$	115,8 mm	Maximum diameter injection pitch
$a$	28,1 mm	Distance between the apexes of the pressure cones

### Additional information

$F_{VL}$	444 N	Preload force light
$F_{VM}$	1.421 N	Preload force medium
$F_{VH}$	2.842 N	Preload force heavy
$K_{aEL}$	1.367 N	Lift-off force light
$K_{aEM}$	4.726 N	Lift-off force medium
$K_{aEH}$	10.091 N	Lift-off force heavy
$c_{aL}$	98,8 N/ $\mu\text{m}$	Axial rigidity light
$c_{aM}$	167 N/ $\mu\text{m}$	Axial rigidity medium
$c_{aH}$	237 N/ $\mu\text{m}$	Axial rigidity heavy