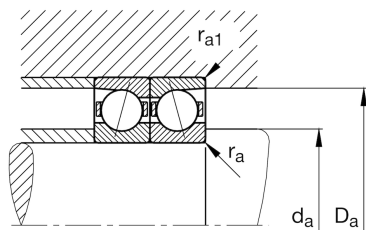
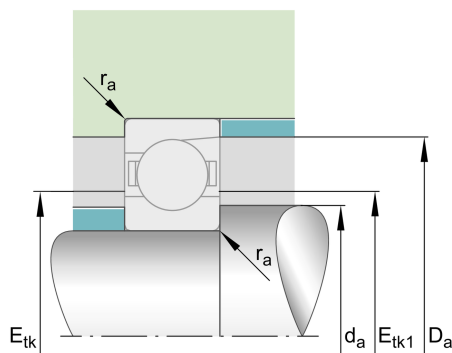
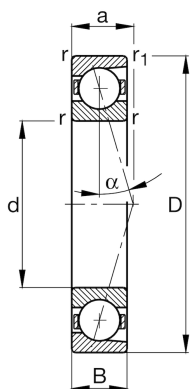


FAG**B7032-C-T-P4S-UL**

Spindle bearing

Schaeffler ID:
0191530230000Spindle bearings B70...C, adjusted, in pairs or sets, contact angle $\alpha = 15^\circ$, restricted tolerances

Technical information



Temperature range

| | | |
|------------|----------|----------------------------|
| T_{\min} | -30 °C | Operating temperature min. |
| T_{\max} | 100 °C | Operating temperature max. |
| | 4,945 kg | Weight |

Main Dimensions & Performance Data

| | | |
|------------------------|-------------|---------------------------------------|
| d | 160 mm | Bore diameter |
| D | 240 mm | Outside diameter |
| B | 38 mm | Width |
| C_r | 192.000 N | Basic dynamic load rating, radial |
| C_{0r} | 146.000 N | Basic static load rating, radial |
| C_{ur} | 10.900 N | Fatigue load limit, radial |
| $n_{G \text{ Grease}}$ | 5.600 1/min | Limiting speed for grease lubrication |
| $n_{G \text{ Oil}}$ | 8.500 1/min | Limiting speed for oil lubrication |

Dimensions

| | | |
|--------------|--------|---------------------------|
| r_{\min} | 2,1 mm | Minimum chamfer dimension |
| $r_{1 \min}$ | 2,1 mm | Minimum chamfer dimension |
| α | 15 ° | Contact angle |

Mounting dimensions

| | | |
|----------------|----------|---|
| d_a | 174 mm | Diameter shaft shoulder |
| d_a | h12 | Diameter shaft shoulder clearance |
| D_a | 228 mm | Shoulder diameter outer ring |
| D_a | H12 | Shoulder diameter outer ring clearance |
| $r_{a \max}$ | 2,1 mm | Maximum recess radius |
| $r_{a1 \max}$ | 1 mm | Maximum recess radius |
| $E_{tk \min}$ | 184,7 mm | Minimum diameter injection pitch |
| $E_{tk \max}$ | 193,4 mm | Maximum diameter injection pitch |
| $E_{tk1 \min}$ | 184,7 mm | Minimum diameter injection pitch |
| $E_{tk1 \max}$ | 193,4 mm | Maximum diameter injection pitch |
| a | 45,8 mm | Distance between the apexes of the pressure cones |

Additional information

| | | |
|-----------|----------------------|-----------------------|
| F_{VL} | 1.145 N | Preload force light |
| F_{VM} | 3.574 N | Preload force medium |
| F_{VH} | 7.107 N | Preload force heavy |
| K_{aEL} | 3.520 N | Lift-off force light |
| K_{aEM} | 11.821 N | Lift-off force medium |
| K_{aEH} | 25.044 N | Lift-off force heavy |
| c_{aL} | 163 N/ μm | Axial rigidity light |
| c_{aM} | 271 N/ μm | Axial rigidity medium |
| c_{aH} | 384 N/ μm | Axial rigidity heavy |