



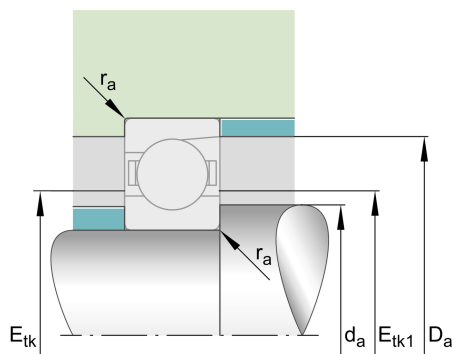
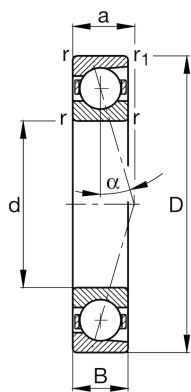
FAG

B7036-C-T-P4S-UL

Spindle bearing

Schaeffler ID:
0219373890000Spindle bearings B70...-C, adjusted, in pairs or sets, contact angle $\alpha = 15^\circ$, restricted tolerances

Technical information

**Temperature range**

T_{\min}	-30 °C	Operating temperature min.
T_{\max}	100 °C	Operating temperature max.
	8,639 kg	Weight

Main Dimensions & Performance Data

d	180 mm	Bore diameter
D	280 mm	Outside diameter
B	46 mm	Width
C_r	248.000 N	Basic dynamic load rating, radial
C_{0r}	203.000 N	Basic static load rating, radial
C_{ur}	14.200 N	Fatigue load limit, radial
$n_{G \text{ Grease}}$	4.800 1/min	Limiting speed for grease lubrication
$n_{G \text{ Oil}}$	7.500 1/min	Limiting speed for oil lubrication

Dimensions

r_{\min}	2,1 mm	Minimum chamfer dimension
$r_{1 \min}$	2,1 mm	Minimum chamfer dimension
α	15 °	Contact angle



Mounting dimensions

d_a	196 mm	Diameter shaft shoulder
d_a	h12	Diameter shaft shoulder clearance
D_a	264 mm	Shoulder diameter outer ring
D_a	H12	Shoulder diameter outer ring clearance
$r_{a \max}$	2,1 mm	Maximum recess radius
$r_{a1 \max}$	1 mm	Maximum recess radius
$E_{tk \min}$	210,9 mm	Minimum diameter injection pitch
$E_{tk \max}$	221,9 mm	Maximum diameter injection pitch
$E_{tk1 \min}$	210,9 mm	Minimum diameter injection pitch
$E_{tk1 \max}$	221,9 mm	Maximum diameter injection pitch
a	53,8 mm	Distance between the apexes of the pressure cones

Additional information

F_{VL}	1.502 N	Preload force light
F_{VM}	4.659 N	Preload force medium
F_{VH}	9.263 N	Preload force heavy
K_{aEL}	4.601 N	Lift-off force light
K_{aEM}	15.309 N	Lift-off force medium
K_{aEH}	32.375 N	Lift-off force heavy
c_{aL}	179 N/ μ m	Axial rigidity light
c_{aM}	295 N/ μ m	Axial rigidity medium
c_{aH}	416 N/ μ m	Axial rigidity heavy