

FAG

★ B7030-E-T-P4S-UL

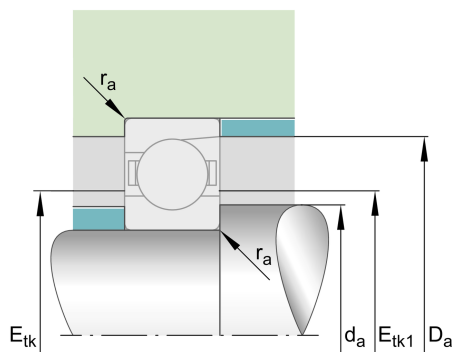
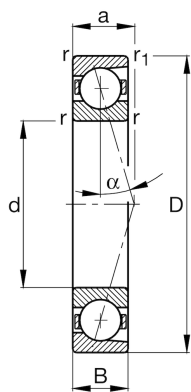
Spindle bearing

Schaeffler ID:
0191530150000

★ Preferred product

Spindle bearings B70...-E, adjusted, in pairs or sets, contact angle $\alpha = 25^\circ$, restricted tolerances

Technical information



Temperature range

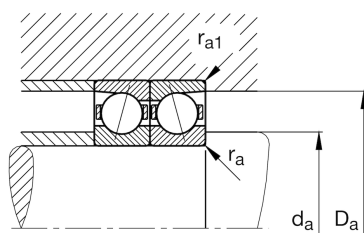
T_{\min}	-30 °C	Operating temperature min.
T_{\max}	100 °C	Operating temperature max.
	3,961 kg	Weight

Main Dimensions & Performance Data

d	150 mm	Bore diameter
D	225 mm	Outside diameter
B	35 mm	Width
C_r	178.000 N	Basic dynamic load rating, radial
C_{0r}	130.000 N	Basic static load rating, radial
C_{ur}	10.100 N	Fatigue load limit, radial
$n_{G \text{ Grease}}$	5.300 1/min	Limiting speed for grease lubrication
$n_{G \text{ Oil}}$	8.000 1/min	Limiting speed for oil lubrication

Dimensions

r_{\min}	2,1 mm	Minimum chamfer dimension
$r_{1 \min}$	2,1 mm	Minimum chamfer dimension
α	25 °	Contact angle



Mounting dimensions

d_a	163 mm	Diameter shaft shoulder
d_a	h12	Diameter shaft shoulder clearance
D_a	213 mm	Shoulder diameter outer ring
D_a	H12	Shoulder diameter outer ring clearance
$r_{a \max}$	2,1 mm	Maximum recess radius
$r_{a1 \max}$	1 mm	Maximum recess radius
$E_{tk \min}$	172,2 mm	Minimum diameter injection pitch
$E_{tk \max}$	181 mm	Maximum diameter injection pitch
$E_{tk1 \min}$	172,2 mm	Minimum diameter injection pitch
$E_{tk1 \max}$	181 mm	Maximum diameter injection pitch
a	61,2 mm	Distance between the apexes of the pressure cones

Additional information

F_{VL}	1.691 N	Preload force light
F_{VM}	5.520 N	Preload force medium
F_{VH}	11.332 N	Preload force heavy
K_{aEL}	4.923 N	Lift-off force light
K_{aEM}	16.566 N	Lift-off force medium
K_{aEH}	35.067 N	Lift-off force heavy
c_{aL}	371 N/ μ m	Axial rigidity light
c_{aM}	580 N/ μ m	Axial rigidity medium
c_{aH}	778 N/ μ m	Axial rigidity heavy