

FAG

★ B7032-E-T-P4S-UL

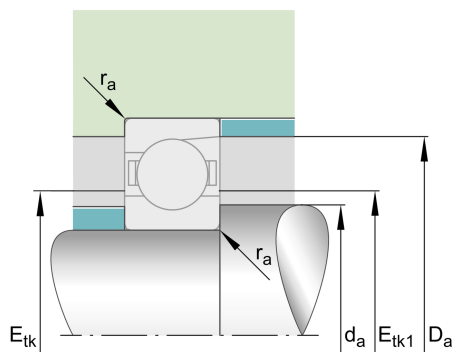
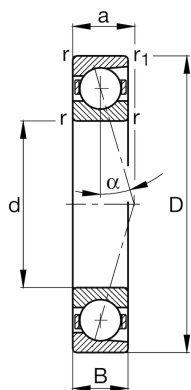
Spindle bearing

Schaeffler ID:
0191530580000

★ Preferred product

Spindle bearings B70...-E, adjusted, in pairs or sets, contact angle $\alpha = 25^\circ$, restricted tolerances

Technical information



Temperature range

T_{\min}	-30 °C	Operating temperature min.
T_{\max}	100 °C	Operating temperature max.
	4,945 kg	Weight

Main Dimensions & Performance Data

d	160 mm	Bore diameter
D	240 mm	Outside diameter
B	38 mm	Width
C_r	182.000 N	Basic dynamic load rating, radial
C_{0r}	138.000 N	Basic static load rating, radial
C_{ur}	10.400 N	Fatigue load limit, radial
$n_{G \text{ Grease}}$	5.000 1/min	Limiting speed for grease lubrication
$n_{G \text{ Oil}}$	7.500 1/min	Limiting speed for oil lubrication

Dimensions

r_{\min}	2,1 mm	Minimum chamfer dimension
$r_{1 \min}$	2,1 mm	Minimum chamfer dimension
α	25 °	Contact angle



Mounting dimensions

d_a	174 mm	Diameter shaft shoulder
d_a	h12	Diameter shaft shoulder clearance
D_a	228 mm	Shoulder diameter outer ring
D_a	H12	Shoulder diameter outer ring clearance
$r_{a \max}$	2,1 mm	Maximum recess radius
$r_{a1 \max}$	1 mm	Maximum recess radius
$E_{tk \min}$	184,7 mm	Minimum diameter injection pitch
$E_{tk \max}$	193,4 mm	Maximum diameter injection pitch
$E_{tk1 \min}$	184,7 mm	Minimum diameter injection pitch
$E_{tk1 \max}$	193,4 mm	Maximum diameter injection pitch
a	65,6 mm	Distance between the apexes of the pressure cones

Additional information

F_{VL}	1.715 N	Preload force light
F_{VM}	5.606 N	Preload force medium
F_{VH}	11.519 N	Preload force heavy
K_{aEL}	4.988 N	Lift-off force light
K_{aEM}	16.807 N	Lift-off force medium
K_{aEH}	35.587 N	Lift-off force heavy
c_{aL}	385 N/ μm	Axial rigidity light
c_{aM}	601 N/ μm	Axial rigidity medium
c_{aH}	806 N/ μm	Axial rigidity heavy