



FAG

## ★ B7034-E-T-P4S-UL

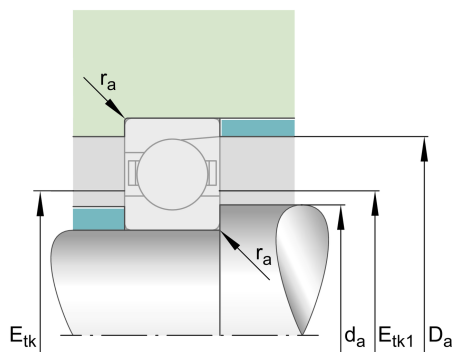
Spindle bearing

Schaeffler ID:  
0191530820000

★ Preferred product

Spindle bearings B70...-E, adjusted, in pairs or sets, contact angle  $\alpha = 25^\circ$ , restricted tolerances

## Technical information



## Temperature range

$T_{\min}$	-30 °C	Operating temperature min.
$T_{\max}$	100 °C	Operating temperature max.
	6,41 kg	Weight

## Main Dimensions &amp; Performance Data

d	170 mm	Bore diameter
D	260 mm	Outside diameter
B	42 mm	Width
$C_r$	229.000 N	Basic dynamic load rating, radial
$C_{0r}$	180.000 N	Basic static load rating, radial
$C_{ur}$	13.000 N	Fatigue load limit, radial
$n_{G \text{ Grease}}$	4.500 1/min	Limiting speed for grease lubrication
$n_{G \text{ Oil}}$	7.000 1/min	Limiting speed for oil lubrication

## Dimensions

$r_{\min}$	2,1 mm	Minimum chamfer dimension
$r_{1 \min}$	2,1 mm	Minimum chamfer dimension
$\alpha$	25 °	Contact angle



### Mounting dimensions

$d_a$	185 mm	Diameter shaft shoulder
$d_a$	h12	Diameter shaft shoulder clearance
$D_a$	246 mm	Shoulder diameter outer ring
$D_a$	H12	Shoulder diameter outer ring clearance
$r_{a \max}$	2,1 mm	Maximum recess radius
$r_{a1 \max}$	1 mm	Maximum recess radius
$E_{tk \min}$	195,9 mm	Minimum diameter injection pitch
$E_{tk \max}$	206,9 mm	Maximum diameter injection pitch
$E_{tk1 \min}$	195,9 mm	Minimum diameter injection pitch
$E_{tk1 \max}$	206,9 mm	Maximum diameter injection pitch
$a$	71,1 mm	Distance between the apexes of the pressure cones

### Additional information

$F_{VL}$	2.250 N	Preload force light
$F_{VM}$	7.240 N	Preload force medium
$F_{VH}$	14.802 N	Preload force heavy
$K_{aEL}$	6.541 N	Lift-off force light
$K_{aEM}$	21.677 N	Lift-off force medium
$K_{aEH}$	45.639 N	Lift-off force heavy
$c_{aL}$	409 N/ $\mu$ m	Axial rigidity light
$c_{aM}$	635 N/ $\mu$ m	Axial rigidity medium
$c_{aH}$	848 N/ $\mu$ m	Axial rigidity heavy