

FAG

★ B71904-C-T-P4S-UL

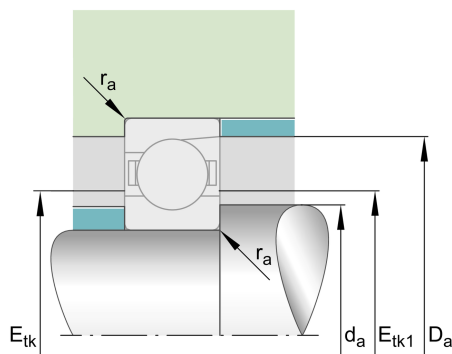
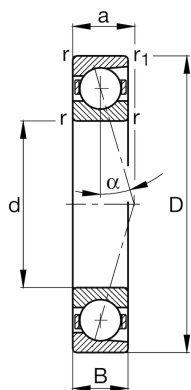
Spindle bearing

Schaeffler ID:
0191535030000

★ Preferred product

Spindle bearings B719.-C, adjusted,
in pairs or sets, contact angle $\alpha = 15^\circ$,
restricted tolerances

Technical information



Temperature range

T_{\min}	-30 °C	Operating temperature min.
T_{\max}	100 °C	Operating temperature max.
	0,03 kg	Weight

Main Dimensions & Performance Data

d	20 mm	Bore diameter
D	37 mm	Outside diameter
B	9 mm	Width
C_r	7.400 N	Basic dynamic load rating, radial
C_{0r}	3.200 N	Basic static load rating, radial
C_{ur}	340 N	Fatigue load limit, radial
$n_{G \text{ Grease}}$	43.000 1/min	Limiting speed for grease lubrication
$n_{G \text{ Oil}}$	63.000 1/min	Limiting speed for oil lubrication

Dimensions

r_{\min}	0,3 mm	Minimum chamfer dimension
$r_{1 \min}$	0,3 mm	Minimum chamfer dimension
α	15 °	Contact angle



Mounting dimensions

d_a	24 mm	Diameter shaft shoulder
d_a	h12	Diameter shaft shoulder clearance
D_a	33,5 mm	Shoulder diameter outer ring
D_a	H12	Shoulder diameter outer ring clearance
$r_{a \max}$	0,3 mm	Maximum recess radius
$r_{a1 \max}$	0,15 mm	Maximum recess radius
$E_{tk \min}$	26 mm	Minimum diameter injection pitch
$E_{tk \max}$	27,1 mm	Maximum diameter injection pitch
$E_{tk1 \min}$	26 mm	Minimum diameter injection pitch
$E_{tk1 \max}$	27,1 mm	Maximum diameter injection pitch
a	8,3 mm	Distance between the apexes of the pressure cones

Additional information

F_{VL}	31 N	Preload force light
F_{VM}	113 N	Preload force medium
F_{VH}	233 N	Preload force heavy
K_{aEL}	95 N	Lift-off force light
K_{aEM}	384 N	Lift-off force medium
K_{aEH}	851 N	Lift-off force heavy
c_{aL}	21,6 N/ μm	Axial rigidity light
c_{aM}	39,3 N/ μm	Axial rigidity medium
c_{aH}	57,4 N/ μm	Axial rigidity heavy