

FAG

## ★ B71907-C-T-P4S-UL

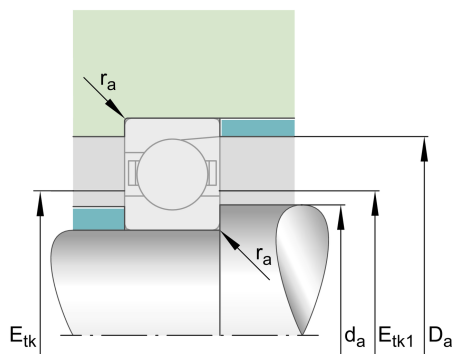
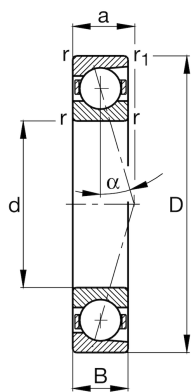
Spindle bearing

Schaeffler ID:  
0191536940000

★ Preferred product

Spindle bearings B719..-C, adjusted,  
in pairs or sets, contact angle  $\alpha = 15^\circ$ ,  
restricted tolerances

## Technical information



## Temperature range

$T_{\min}$	-30 °C	Operating temperature min.
$T_{\max}$	100 °C	Operating temperature max.
	76,51 g	Weight

## Main Dimensions &amp; Performance Data

d	35 mm	Bore diameter
D	55 mm	Outside diameter
B	10 mm	Width
$C_r$	12.100 N	Basic dynamic load rating, radial
$C_{0r}$	6.800 N	Basic static load rating, radial
$C_{ur}$	720 N	Fatigue load limit, radial
$n_{G \text{ Grease}}$	26.000 1/min	Limiting speed for grease lubrication
$n_{G \text{ Oil}}$	40.000 1/min	Limiting speed for oil lubrication

## Dimensions

$r_{\min}$	0,6 mm	Minimum chamfer dimension
$r_{1 \min}$	0,6 mm	Minimum chamfer dimension
$\alpha$	15 °	Contact angle



### Mounting dimensions

$d_a$	40 mm	Diameter shaft shoulder
$d_a$	h12	Diameter shaft shoulder clearance
$D_a$	51,5 mm	Shoulder diameter outer ring
$D_a$	H12	Shoulder diameter outer ring clearance
$r_{a \max}$	0,6 mm	Maximum recess radius
$r_{a1 \max}$	0,15 mm	Maximum recess radius
$E_{tk \min}$	42,6 mm	Minimum diameter injection pitch
$E_{tk \max}$	44 mm	Maximum diameter injection pitch
$E_{tk1 \min}$	42,6 mm	Minimum diameter injection pitch
$E_{tk1 \max}$	44 mm	Maximum diameter injection pitch
$a$	11,1 mm	Distance between the apexes of the pressure cones

### Additional information

$F_{VL}$	50 N	Preload force light
$F_{VM}$	185 N	Preload force medium
$F_{VH}$	384 N	Preload force heavy
$K_{aEL}$	155 N	Lift-off force light
$K_{aEM}$	619 N	Lift-off force medium
$K_{aEH}$	1.377 N	Lift-off force heavy
$c_{aL}$	33,5 N/ $\mu\text{m}$	Axial rigidity light
$c_{aM}$	60,2 N/ $\mu\text{m}$	Axial rigidity medium
$c_{aH}$	87,5 N/ $\mu\text{m}$	Axial rigidity heavy