



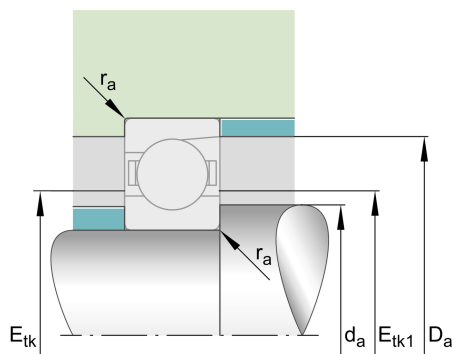
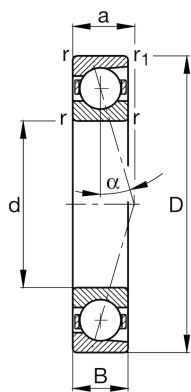
FAG

**B71909-C-T-P4S-UL**

## Spindle bearing

Schaeffler ID:  
0191538720000Spindle bearings B719.-C, adjusted,  
in pairs or sets, contact angle  $\alpha = 15^\circ$ ,  
restricted tolerances

## Technical information

**Main Dimensions & Performance Data**

d	45 mm	Bore diameter
D	68 mm	Outside diameter
B	12 mm	Width
$C_r$	19.100 N	Basic dynamic load rating, radial
$C_{0r}$	11.200 N	Basic static load rating, radial
$C_{ur}$	1.180 N	Fatigue load limit, radial
$n_{G \text{ Grease}}$	20.000 1/min	Limiting speed for grease lubrication
$n_{G \text{ Oil}}$	32.000 1/min	Limiting speed for oil lubrication
	0,001 kg	Weight

**Additional information**

$r_{\min}$	0,6 mm	Minimum chamfer dimension
$F_{VL}$	88 N	Preload force light
$r_{1 \min}$	0,6 mm	Minimum chamfer dimension
$F_{VM}$	307 N	Preload force medium
$\alpha$	$15^\circ$	Contact angle
$F_{VH}$	628 N	Preload force heavy
$K_{aEL}$	270 N	Lift-off force light
$K_{aEM}$	1.027 N	Lift-off force medium
$K_{aEH}$	2.251 N	Lift-off force heavy
$c_{aL}$	44 N/ $\mu\text{m}$	Axial rigidity light
$c_{aM}$	77,5 N/ $\mu\text{m}$	Axial rigidity medium
$c_{aH}$	112 N/ $\mu\text{m}$	Axial rigidity heavy



### Mounting dimensions

$d_a$	50 mm	Diameter shaft shoulder
$d_a$	h12	Diameter shaft shoulder clearance
$D_a$	63,5 mm	Shoulder diameter outer ring
$D_a$	H12	Shoulder diameter outer ring clearance
$r_{a \max}$	0,6 mm	Maximum recess radius
$r_{a1 \max}$	0,15 mm	Maximum recess radius
$E_{tk \min}$	52,3 mm	Minimum diameter injection pitch
$E_{tk \max}$	54,5 mm	Maximum diameter injection pitch
$E_{tk1 \min}$	52,3 mm	Minimum diameter injection pitch
$E_{tk1 \max}$	54,5 mm	Maximum diameter injection pitch
$a$	13,6 mm	Distance between the apexes of the pressure cones

### Temperature range

$T_{\min}$	-30 °C	Operating temperature min.
$T_{\max}$	100 °C	Operating temperature max.