



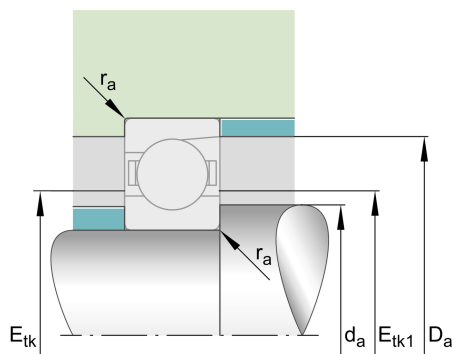
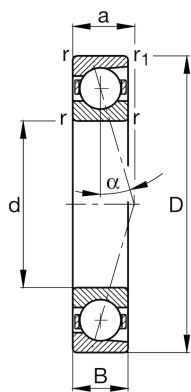
FAG

B71921-C-T-P4S-UL

Spindle bearing

Schaeffler ID:
0191549330000Spindle bearings B719.-C, adjusted,
in pairs or sets, contact angle $\alpha = 15^\circ$,
restricted tolerances

Technical information

**Main Dimensions & Performance Data**

| | | |
|------------------------|--------------|---------------------------------------|
| d | 105 mm | Bore diameter |
| D | 145 mm | Outside diameter |
| B | 20 mm | Width |
| C_r | 60.000 N | Basic dynamic load rating, radial |
| C_{0r} | 45.000 N | Basic static load rating, radial |
| C_{ur} | 4.250 N | Fatigue load limit, radial |
| $n_{G \text{ Grease}}$ | 9.000 1/min | Limiting speed for grease lubrication |
| $n_{G \text{ Oil}}$ | 14.000 1/min | Limiting speed for oil lubrication |
| | 0,81 kg | Weight |

Additional information

| | | |
|--------------|-----------------------|---------------------------|
| r_{\min} | 1,1 mm | Minimum chamfer dimension |
| F_{VL} | 316 N | Preload force light |
| $r_{1 \min}$ | 1,1 mm | Minimum chamfer dimension |
| F_{VM} | 1.040 N | Preload force medium |
| α | 15° | Contact angle |
| F_{VH} | 2.101 N | Preload force heavy |
| K_{aEL} | 968 N | Lift-off force light |
| K_{aEM} | 3.432 N | Lift-off force medium |
| K_{aEH} | 7.399 N | Lift-off force heavy |
| c_{aL} | 94,1 N/ μm | Axial rigidity light |
| c_{aM} | 160 N/ μm | Axial rigidity medium |
| c_{aH} | 228 N/ μm | Axial rigidity heavy |



Mounting dimensions

| | | |
|----------------|----------|---|
| d_a | 112 mm | Diameter shaft shoulder |
| d_a | h12 | Diameter shaft shoulder clearance |
| D_a | 138 mm | Shoulder diameter outer ring |
| D_a | H12 | Shoulder diameter outer ring clearance |
| $r_{a \max}$ | 0,6 mm | Maximum recess radius |
| $r_{a1 \max}$ | 0,6 mm | Maximum recess radius |
| $E_{tk \min}$ | 117,4 mm | Minimum diameter injection pitch |
| $E_{tk \max}$ | 121,4 mm | Maximum diameter injection pitch |
| $E_{tk1 \min}$ | 117,4 mm | Minimum diameter injection pitch |
| $E_{tk1 \max}$ | 121,4 mm | Maximum diameter injection pitch |
| a | 26,7 mm | Distance between the apexes of the pressure cones |

Temperature range

| | | |
|------------|--------|----------------------------|
| T_{\min} | -30 °C | Operating temperature min. |
| T_{\max} | 100 °C | Operating temperature max. |