

FAG

★ B71936-C-T-P4S-UL

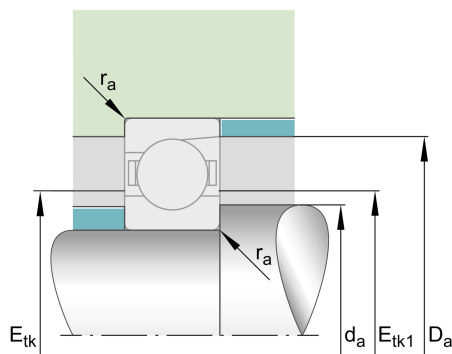
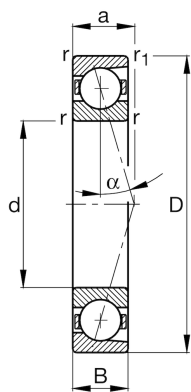
Spindle bearing

Schaeffler ID:
0191555220000

★ Preferred product

Spindle bearings B719..-C, adjusted,
in pairs or sets, contact angle $\alpha = 15^\circ$,
restricted tolerances

Technical information



Temperature range

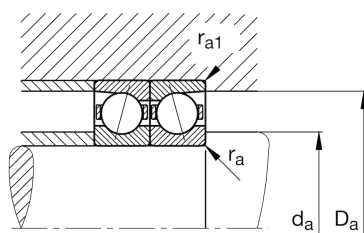
| | | |
|------------|----------|----------------------------|
| T_{\min} | -30 °C | Operating temperature min. |
| T_{\max} | 100 °C | Operating temperature max. |
| | 4,065 kg | Weight |

Main Dimensions & Performance Data

| | | |
|------------------------|-------------|---------------------------------------|
| d | 180 mm | Bore diameter |
| D | 250 mm | Outside diameter |
| B | 33 mm | Width |
| C_r | 171.000 N | Basic dynamic load rating, radial |
| C_{0r} | 146.000 N | Basic static load rating, radial |
| C_{ur} | 10.500 N | Fatigue load limit, radial |
| $n_{G \text{ Grease}}$ | 5.300 1/min | Limiting speed for grease lubrication |
| $n_{G \text{ Oil}}$ | 8.000 1/min | Limiting speed for oil lubrication |

Dimensions

| | | |
|--------------|------|---------------------------|
| r_{\min} | 2 mm | Minimum chamfer dimension |
| $r_{1 \min}$ | 1 mm | Minimum chamfer dimension |
| α | 15 ° | Contact angle |



Mounting dimensions

| | | |
|----------------|----------|---|
| d_a | 192 mm | Diameter shaft shoulder |
| d_a | h12 | Diameter shaft shoulder clearance |
| D_a | 238 mm | Shoulder diameter outer ring |
| D_a | H12 | Shoulder diameter outer ring clearance |
| $r_{a \max}$ | 1 mm | Maximum recess radius |
| $r_{a1 \max}$ | 1 mm | Maximum recess radius |
| $E_{tk \min}$ | 201,6 mm | Minimum diameter injection pitch |
| $E_{tk \max}$ | 209 mm | Maximum diameter injection pitch |
| $E_{tk1 \min}$ | 201,6 mm | Minimum diameter injection pitch |
| $E_{tk1 \max}$ | 209 mm | Maximum diameter injection pitch |
| a | 45,3 mm | Distance between the apexes of the pressure cones |

Additional information

| | | |
|-----------|----------------|-----------------------|
| F_{VL} | 960 N | Preload force light |
| F_{VM} | 3.036 N | Preload force medium |
| F_{VH} | 6.076 N | Preload force heavy |
| K_{aEL} | 2.933 N | Lift-off force light |
| K_{aEM} | 9.953 N | Lift-off force medium |
| K_{aEH} | 21.191 N | Lift-off force heavy |
| c_{aL} | 168 N/ μ m | Axial rigidity light |
| c_{aM} | 279 N/ μ m | Axial rigidity medium |
| c_{aH} | 394 N/ μ m | Axial rigidity heavy |