

FAG

★ B71938-C-T-P4S-UL

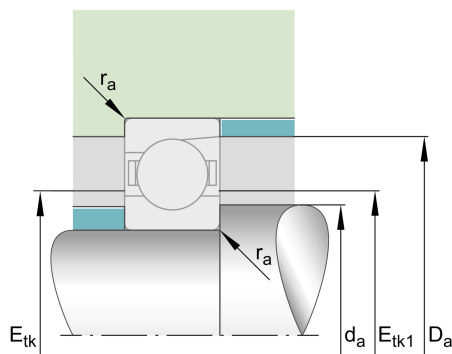
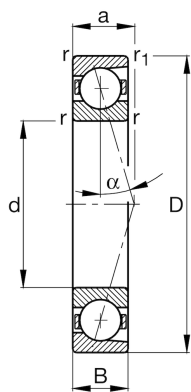
Spindle bearing

Schaeffler ID:
0191555570000

★ Preferred product

Spindle bearings B719..-C, adjusted,
in pairs or sets, contact angle $\alpha = 15^\circ$,
restricted tolerances

Technical information



Temperature range

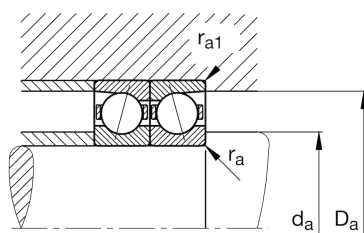
T_{\min}	-30 °C	Operating temperature min.
T_{\max}	100 °C	Operating temperature max.
	4,253 kg	Weight

Main Dimensions & Performance Data

d	190 mm	Bore diameter
D	260 mm	Outside diameter
B	33 mm	Width
C_r	174.000 N	Basic dynamic load rating, radial
C_{0r}	152.000 N	Basic static load rating, radial
C_{ur}	10.700 N	Fatigue load limit, radial
$n_{G \text{ Grease}}$	5.000 1/min	Limiting speed for grease lubrication
$n_{G \text{ Oil}}$	7.500 1/min	Limiting speed for oil lubrication

Dimensions

r_{\min}	2 mm	Minimum chamfer dimension
$r_{1 \min}$	1 mm	Minimum chamfer dimension
α	15 °	Contact angle



Mounting dimensions

d_a	202 mm	Diameter shaft shoulder
d_a	h12	Diameter shaft shoulder clearance
D_a	247 mm	Shoulder diameter outer ring
D_a	H12	Shoulder diameter outer ring clearance
$r_{a \max}$	1 mm	Maximum recess radius
$r_{a1 \max}$	1 mm	Maximum recess radius
$E_{tk \min}$	211,6 mm	Minimum diameter injection pitch
$E_{tk \max}$	218,9 mm	Maximum diameter injection pitch
$E_{tk1 \min}$	211,6 mm	Minimum diameter injection pitch
$E_{tk1 \max}$	218,9 mm	Maximum diameter injection pitch
a	46,6 mm	Distance between the apexes of the pressure cones

Additional information

F_{VL}	888 N	Preload force light
F_{VM}	2.947 N	Preload force medium
F_{VH}	5.992 N	Preload force heavy
K_{aEL}	2.700 N	Lift-off force light
K_{aEM}	9.612 N	Lift-off force medium
K_{aEH}	20.790 N	Lift-off force heavy
c_{aL}	166 N/ μ m	Axial rigidity light
c_{aM}	281 N/ μ m	Axial rigidity medium
c_{aH}	398 N/ μ m	Axial rigidity heavy