

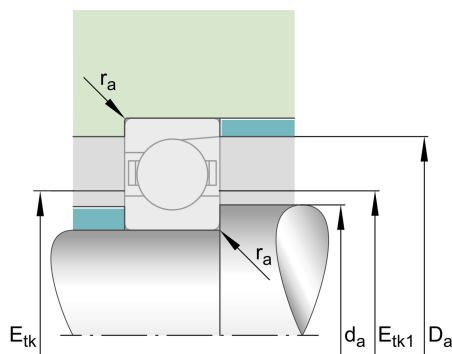
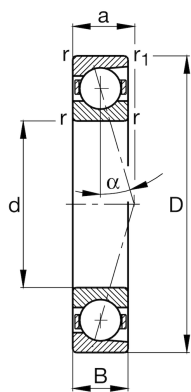
FAG

B71940-C-T-P4S-UL

Spindle bearing

Schaeffler ID:
0191556030000Spindle bearings B719.-C, adjusted,
in pairs or sets, contact angle $\alpha = 15^\circ$,
restricted tolerances

Technical information

**Temperature range**

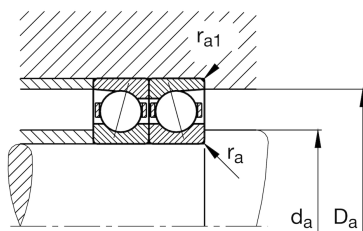
| | | |
|------------|----------|----------------------------|
| T_{\min} | -30 °C | Operating temperature min. |
| T_{\max} | 100 °C | Operating temperature max. |
| | 5,954 kg | Weight |

Main Dimensions & Performance Data

| | | |
|------------------------|-------------|---------------------------------------|
| d | 200 mm | Bore diameter |
| D | 280 mm | Outside diameter |
| B | 38 mm | Width |
| C_r | 210.000 N | Basic dynamic load rating, radial |
| C_{0r} | 179.000 N | Basic static load rating, radial |
| C_{ur} | 12.200 N | Fatigue load limit, radial |
| $n_{G \text{ Grease}}$ | 4.500 1/min | Limiting speed for grease lubrication |
| $n_{G \text{ Oil}}$ | 7.000 1/min | Limiting speed for oil lubrication |

Dimensions

| | | |
|--------------|--------|---------------------------|
| r_{\min} | 2,1 mm | Minimum chamfer dimension |
| $r_{1 \min}$ | 1,1 mm | Minimum chamfer dimension |
| α | 15 ° | Contact angle |



Mounting dimensions

| | | |
|----------------|----------|---------------------------------------------------|
| d_a | 214 mm | Diameter shaft shoulder |
| d_a | h12 | Diameter shaft shoulder clearance |
| D_a | 266 mm | Shoulder diameter outer ring |
| D_a | H12 | Shoulder diameter outer ring clearance |
| $r_{a \max}$ | 1 mm | Maximum recess radius |
| $r_{a1 \max}$ | 1 mm | Maximum recess radius |
| $E_{tk \min}$ | 224,7 mm | Minimum diameter injection pitch |
| $E_{tk \max}$ | 233,1 mm | Maximum diameter injection pitch |
| $E_{tk1 \min}$ | 224,7 mm | Minimum diameter injection pitch |
| $E_{tk1 \max}$ | 233,1 mm | Maximum diameter injection pitch |
| a | 51,2 mm | Distance between the apexes of the pressure cones |

Additional information

| | | |
|-----------|----------------|-----------------------|
| F_{VL} | 1.127 N | Preload force light |
| F_{VM} | 3.678 N | Preload force medium |
| F_{VH} | 7.439 N | Preload force heavy |
| K_{aEL} | 3.433 N | Lift-off force light |
| K_{aEM} | 12.027 N | Lift-off force medium |
| K_{aEH} | 25.875 N | Lift-off force heavy |
| c_{aL} | 180 N/ μ m | Axial rigidity light |
| c_{aM} | 302 N/ μ m | Axial rigidity medium |
| c_{aH} | 427 N/ μ m | Axial rigidity heavy |