

FAG

★ B71906-E-T-P4S-UL

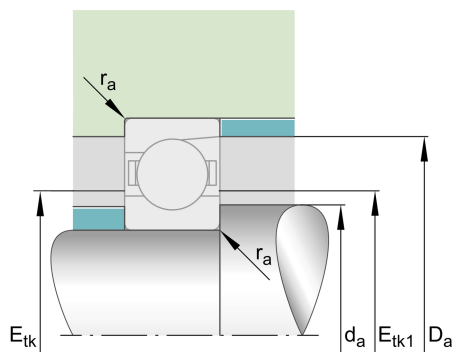
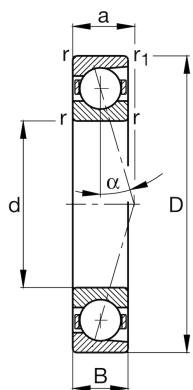
Spindle bearing

Schaeffler ID:
0190036090000

Spindle bearing B719...-E-T-P4S, with steel balls

★ Preferred product

Technical information



Temperature range

T_{min}	-30 °C	Operating temperature min.
T_{max}	100 °C	Operating temperature max.
	50 g	Weight

Main Dimensions & Performance Data

d	30 mm	Bore diameter
D	47 mm	Outside diameter
B	9 mm	Width
C_r	8.100 N	Basic dynamic load rating, radial
C_{0r}	4.150 N	Basic static load rating, radial
C_{ur}	440 N	Fatigue load limit, radial
$n_{G Grease}$	28.000 1/min	Limiting speed for grease lubrication
$n_{G Oil}$	43.000 1/min	Limiting speed for oil lubrication

Dimensions

r_{min}	0,3 mm	Minimum chamfer dimension
$r_{1 min}$	0,3 mm	Minimum chamfer dimension
α	25 °	Contact angle



Mounting dimensions

d_a	34 mm	Diameter shaft shoulder
d_a	h12	Diameter shaft shoulder clearance
D_a	43,5 mm	Shoulder diameter outer ring
D_a	H12	Shoulder diameter outer ring clearance
$r_{a \max}$	0,3 mm	Maximum recess radius
$r_{a1 \max}$	0,15 mm	Maximum recess radius
$E_{tk \min}$	36 mm	Minimum diameter injection pitch
$E_{tk \max}$	37 mm	Maximum diameter injection pitch
$E_{tk1 \min}$	36 mm	Minimum diameter injection pitch
$E_{tk1 \max}$	37 mm	Maximum diameter injection pitch
a	13,5 mm	Distance between the apexes of the pressure cones

Additional information

F_{VL}	41 N	Preload force light
F_{VM}	197 N	Preload force medium
F_{VH}	448 N	Preload force heavy
K_{aEL}	114 N	Lift-off force light
K_{aEM}	580 N	Lift-off force medium
K_{aEH}	1.377 N	Lift-off force heavy
c_{aL}	58 N/ μm	Axial rigidity light
c_{aM}	105 N/ μm	Axial rigidity medium
c_{aH}	148 N/ μm	Axial rigidity heavy