

FAG

★ B71907-E-T-P4S-UL

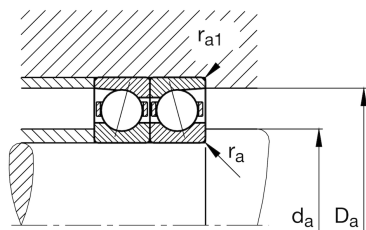
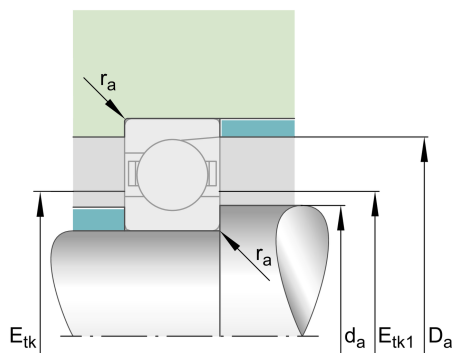
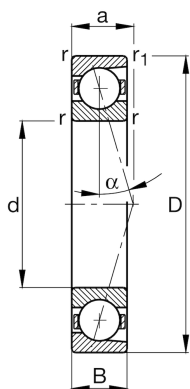
Spindle bearing

Schaeffler ID:
0191537670000

Spindle bearing B719...-E-T-P4S, with steel balls

★ Preferred product

Technical information



Temperature range

T_{min}	-30 °C	Operating temperature min.
T_{max}	100 °C	Operating temperature max.
	76,53 g	Weight

Main Dimensions & Performance Data

d	35 mm	Bore diameter
D	55 mm	Outside diameter
B	10 mm	Width
C_r	11.500 N	Basic dynamic load rating, radial
C_{0r}	6.500 N	Basic static load rating, radial
C_{ur}	680 N	Fatigue load limit, radial
$n_{G Grease}$	24.000 1/min	Limiting speed for grease lubrication
$n_{G Oil}$	36.000 1/min	Limiting speed for oil lubrication

Dimensions

r_{min}	0,6 mm	Minimum chamfer dimension
$r_{1 min}$	0,6 mm	Minimum chamfer dimension
α	25 °	Contact angle

Mounting dimensions

d_a	40 mm	Diameter shaft shoulder
d_a	h12	Diameter shaft shoulder clearance
D_a	51,5 mm	Shoulder diameter outer ring
D_a	H12	Shoulder diameter outer ring clearance
$r_{a max}$	0,6 mm	Maximum recess radius
$r_{a1 max}$	0,15 mm	Maximum recess radius
$E_{tk min}$	42,6 mm	Minimum diameter injection pitch
$E_{tk max}$	44 mm	Maximum diameter injection pitch
$E_{tk1 min}$	42,6 mm	Minimum diameter injection pitch
$E_{tk1 max}$	44 mm	Maximum diameter injection pitch
a	15,6 mm	Distance between the apexes of the pressure cones

Additional information

F_{VL}	60 N	Preload force light
F_{VM}	273 N	Preload force medium
F_{VH}	613 N	Preload force heavy
K_{aEL}	174 N	Lift-off force light
K_{aEM}	820 N	Lift-off force medium
K_{aEH}	1.910 N	Lift-off force heavy
c_{aL}	72,9 N/ μm	Axial rigidity light
c_{aM}	129 N/ μm	Axial rigidity medium
c_{aH}	179 N/ μm	Axial rigidity heavy