



FAG

★ B71908-E-T-P4S-UL

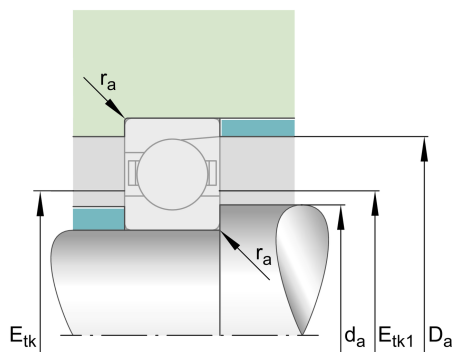
Spindle bearing

Schaeffler ID:
0191538480000

Spindle bearing B719...-E-T-P4S, with steel balls

★ Preferred product

Technical information



Temperature range

T_{\min}	-30 °C	Operating temperature min.
T_{\max}	100 °C	Operating temperature max.
	0,001 kg	Weight

Main Dimensions & Performance Data

d	40 mm	Bore diameter
D	62 mm	Outside diameter
B	12 mm	Width
C_r	17.100 N	Basic dynamic load rating, radial
C_{0r}	9.400 N	Basic static load rating, radial
C_{ur}	990 N	Fatigue load limit, radial
$n_{G \text{ Grease}}$	20.000 1/min	Limiting speed for grease lubrication
$n_{G \text{ Oil}}$	32.000 1/min	Limiting speed for oil lubrication

Dimensions

r_{\min}	0,6 mm	Minimum chamfer dimension
$r_{1 \min}$	0,6 mm	Minimum chamfer dimension
α	25 °	Contact angle



Mounting dimensions

d_a	45 mm	Diameter shaft shoulder
d_a	h12	Diameter shaft shoulder clearance
D_a	58,5 mm	Shoulder diameter outer ring
D_a	H12	Shoulder diameter outer ring clearance
$r_{a \max}$	0,6 mm	Maximum recess radius
$r_{a1 \max}$	0,15 mm	Maximum recess radius
$E_{tk \min}$	47,3 mm	Minimum diameter injection pitch
$E_{tk \max}$	49,1 mm	Maximum diameter injection pitch
$E_{tk1 \min}$	47,3 mm	Minimum diameter injection pitch
$E_{tk1 \max}$	49,1 mm	Maximum diameter injection pitch
a	17,9 mm	Distance between the apexes of the pressure cones

Additional information

F_{VL}	111 N	Preload force light
F_{VM}	447 N	Preload force medium
F_{VH}	974 N	Preload force heavy
K_{aEL}	324 N	Lift-off force light
K_{aEM}	1.348 N	Lift-off force medium
K_{aEH}	3.043 N	Lift-off force heavy
c_{aL}	91,3 N/ μm	Axial rigidity light
c_{aM}	155 N/ μm	Axial rigidity medium
c_{aH}	213 N/ μm	Axial rigidity heavy