



FAG

★ B71911-E-T-P4S-UL

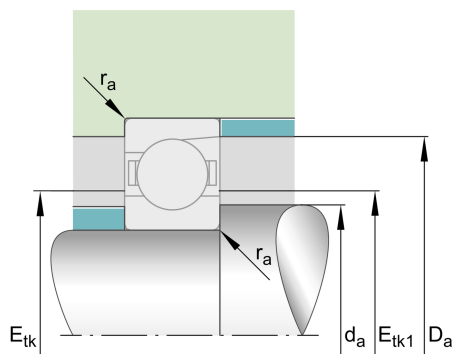
Spindle bearing

Schaeffler ID:
0190036170000

Spindle bearing B719...-E-T-P4S, with steel balls

★ Preferred product

Technical information



Temperature range

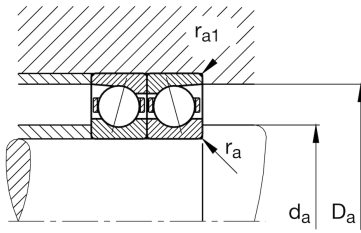
T_{\min}	-30 °C	Operating temperature min.
T_{\max}	100 °C	Operating temperature max.
	0,002 kg	Weight

Main Dimensions & Performance Data

d	55 mm	Bore diameter
D	80 mm	Outside diameter
B	13 mm	Width
C_r	22.200 N	Basic dynamic load rating, radial
C_{0r}	13.700 N	Basic static load rating, radial
C_{ur}	1.450 N	Fatigue load limit, radial
$n_{G \text{ Grease}}$	15.000 1/min	Limiting speed for grease lubrication
$n_{G \text{ Oil}}$	24.000 1/min	Limiting speed for oil lubrication

Dimensions

r_{\min}	1 mm	Minimum chamfer dimension
$r_{1 \min}$	1 mm	Minimum chamfer dimension
α	25 °	Contact angle



Mounting dimensions

d_a	60 mm	Diameter shaft shoulder
d_a	h12	Diameter shaft shoulder clearance
D_a	75,5 mm	Shoulder diameter outer ring
D_a	H12	Shoulder diameter outer ring clearance
$r_{a \max}$	0,6 mm	Maximum recess radius
$r_{a1 \max}$	0,3 mm	Maximum recess radius
$E_{tk \min}$	62,8 mm	Minimum diameter injection pitch
$E_{tk \max}$	65,1 mm	Maximum diameter injection pitch
$E_{tk1 \min}$	62,8 mm	Minimum diameter injection pitch
$E_{tk1 \max}$	65,1 mm	Maximum diameter injection pitch
a	22,2 mm	Distance between the apexes of the pressure cones

Additional information

F_{VL}	149 N	Preload force light
F_{VM}	588 N	Preload force medium
F_{VH}	1.278 N	Preload force heavy
K_{aEL}	431 N	Lift-off force light
K_{aEM}	1.768 N	Lift-off force medium
K_{aEH}	3.973 N	Lift-off force heavy
c_{aL}	115 N/ μ m	Axial rigidity light
c_{aM}	193 N/ μ m	Axial rigidity medium
c_{aH}	266 N/ μ m	Axial rigidity heavy