

FAG

★ B71932-E-T-P4S-UL

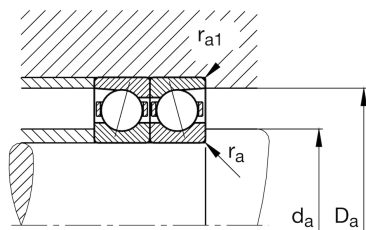
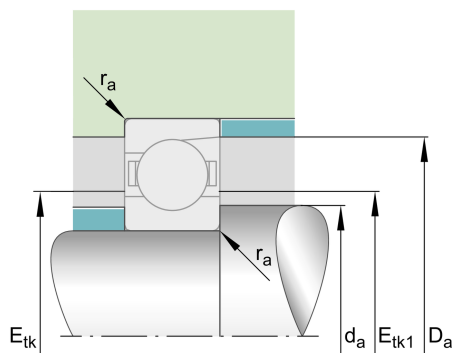
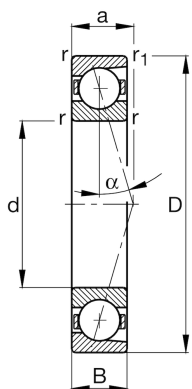
Spindle bearing

Schaeffler ID:
0191554170000

Spindle bearing B719...-E-T-P4S, with steel balls

★ Preferred product

Technical information



Temperature range

T_{min}	-30 °C	Operating temperature min.
T_{max}	100 °C	Operating temperature max.
	2,587 kg	Weight

Main Dimensions & Performance Data

d	160 mm	Bore diameter
D	220 mm	Outside diameter
B	28 mm	Width
C_r	121.000 N	Basic dynamic load rating, radial
C_{0r}	100.000 N	Basic static load rating, radial
C_{ur}	7.700 N	Fatigue load limit, radial
$n_{G Grease}$	5.300 1/min	Limiting speed for grease lubrication
$n_{G Oil}$	8.000 1/min	Limiting speed for oil lubrication

Dimensions

r_{min}	2 mm	Minimum chamfer dimension
$r_{1 min}$	1 mm	Minimum chamfer dimension
α	25 °	Contact angle

Mounting dimensions

d_a	170 mm	Diameter shaft shoulder
d_a	h12	Diameter shaft shoulder clearance
D_a	209 mm	Shoulder diameter outer ring
D_a	H12	Shoulder diameter outer ring clearance
$r_{a max}$	1 mm	Maximum recess radius
$r_{a1 max}$	1 mm	Maximum recess radius
$E_{tk min}$	179,5 mm	Minimum diameter injection pitch
$E_{tk max}$	184,7 mm	Maximum diameter injection pitch
$E_{tk1 min}$	179,5 mm	Minimum diameter injection pitch
$E_{tk1 max}$	184,7 mm	Maximum diameter injection pitch
a	58,3 mm	Distance between the apexes of the pressure cones

Additional information

F_{VL}	1.055 N	Preload force light
F_{VM}	3.579 N	Preload force medium
F_{VH}	7.439 N	Preload force heavy
K_{aEL}	3.062 N	Lift-off force light
K_{aEM}	10.696 N	Lift-off force medium
K_{aEH}	22.899 N	Lift-off force heavy
c_{aL}	341 N/ μ m	Axial rigidity light
c_{aM}	539 N/ μ m	Axial rigidity medium
c_{aH}	725 N/ μ m	Axial rigidity heavy