

FAG

★ B71938-E-T-P4S-UL

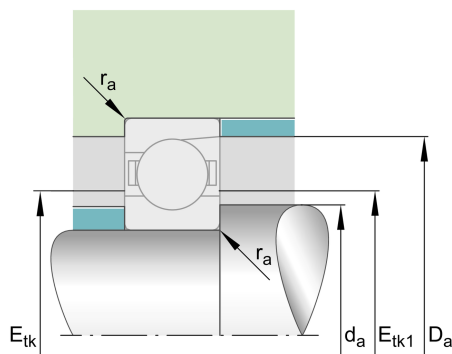
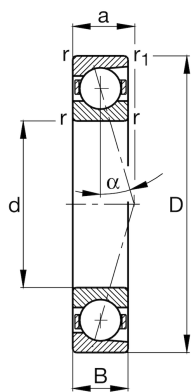
Spindle bearing

Schaeffler ID:
0191555650000

Spindle bearing B719...-E-T-P4S, with steel balls

★ Preferred product

Technical information



Temperature range

T_{min}	-30 °C	Operating temperature min.
T_{max}	100 °C	Operating temperature max.
	4,406 kg	Weight

Main Dimensions & Performance Data

d	190 mm	Bore diameter
D	260 mm	Outside diameter
B	33 mm	Width
C_r	164.000 N	Basic dynamic load rating, radial
C_{0r}	144.000 N	Basic static load rating, radial
C_{ur}	10.200 N	Fatigue load limit, radial
$n_{G Grease}$	4.500 1/min	Limiting speed for grease lubrication
$n_{G Oil}$	6.700 1/min	Limiting speed for oil lubrication

Dimensions

r_{min}	2 mm	Minimum chamfer dimension
$r_{1 min}$	1 mm	Minimum chamfer dimension
α	25 °	Contact angle



Mounting dimensions

d_a	202 mm	Diameter shaft shoulder
d_a	h12	Diameter shaft shoulder clearance
D_a	247 mm	Shoulder diameter outer ring
D_a	H12	Shoulder diameter outer ring clearance
$r_{a \max}$	1 mm	Maximum recess radius
$r_{a1 \max}$	1 mm	Maximum recess radius
$E_{tk \min}$	211,6 mm	Minimum diameter injection pitch
$E_{tk \max}$	218,9 mm	Maximum diameter injection pitch
$E_{tk1 \min}$	211,6 mm	Minimum diameter injection pitch
$E_{tk1 \max}$	218,9 mm	Maximum diameter injection pitch
a	69 mm	Distance between the apexes of the pressure cones

Additional information

F_{VL}	1.250 N	Preload force light
F_{VM}	4.547 N	Preload force medium
F_{VH}	9.653 N	Preload force heavy
K_{aEL}	3.619 N	Lift-off force light
K_{aEM}	13.545 N	Lift-off force medium
K_{aEH}	29.595 N	Lift-off force heavy
c_{aL}	388 N/ μ m	Axial rigidity light
c_{aM}	627 N/ μ m	Axial rigidity medium
c_{aH}	847 N/ μ m	Axial rigidity heavy