

FAG

## ★ B7220-C-T-P4S-UL

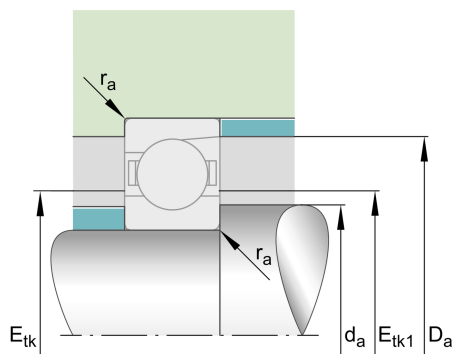
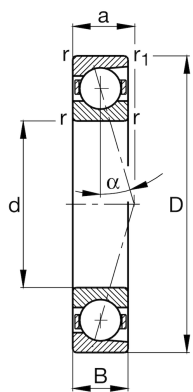
Spindle bearing

Schaeffler ID:  
0191573040000

★ Preferred product

Spindle bearings B72...-C, adjusted, in pairs or sets, contact angle  $\alpha = 15^\circ$ , restricted tolerances

## Technical information



## Temperature range

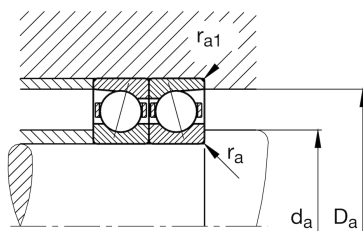
$T_{\min}$	-30 °C	Operating temperature min.
$T_{\max}$	100 °C	Operating temperature max.
	3,265 kg	Weight

## Main Dimensions &amp; Performance Data

d	100 mm	Bore diameter
D	180 mm	Outside diameter
B	34 mm	Width
$C_r$	135.000 N	Basic dynamic load rating, radial
$C_{0r}$	88.000 N	Basic static load rating, radial
$C_{ur}$	7.800 N	Fatigue load limit, radial
$n_{G \text{ Grease}}$	7.500 1/min	Limiting speed for grease lubrication
$n_{G \text{ Oil}}$	12.000 1/min	Limiting speed for oil lubrication

## Dimensions

$r_{\min}$	2,1 mm	Minimum chamfer dimension
$r_{1 \min}$	2,1 mm	Minimum chamfer dimension
$\alpha$	15 °	Contact angle



### Mounting dimensions

$d_a$	114,5 mm	Diameter shaft shoulder
$d_a$	h12	Diameter shaft shoulder clearance
$D_a$	165,5 mm	Shoulder diameter outer ring
$D_a$	H12	Shoulder diameter outer ring clearance
$r_{a \max}$	2,1 mm	Maximum recess radius
$r_{a1 \max}$	1 mm	Maximum recess radius
$E_{tk \min}$	126,6 mm	Minimum diameter injection pitch
$E_{tk \max}$	134,4 mm	Maximum diameter injection pitch
$E_{tk1 \min}$	126,6 mm	Minimum diameter injection pitch
$E_{tk1 \max}$	134,4 mm	Maximum diameter injection pitch
$a$	35,8 mm	Distance between the apexes of the pressure cones

### Additional information

$F_{VL}$	789 N	Preload force light
$F_{VM}$	2.466 N	Preload force medium
$F_{VH}$	4.892 N	Preload force heavy
$K_{aEL}$	2.439 N	Lift-off force light
$K_{aEM}$	8.230 N	Lift-off force medium
$K_{aEH}$	17.428 N	Lift-off force heavy
$c_{aL}$	121 N/ $\mu$ m	Axial rigidity light
$c_{aM}$	203 N/ $\mu$ m	Axial rigidity medium
$c_{aH}$	287 N/ $\mu$ m	Axial rigidity heavy