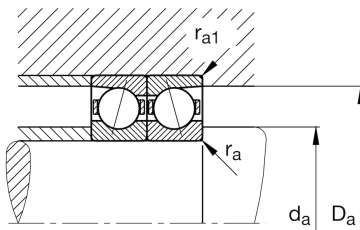
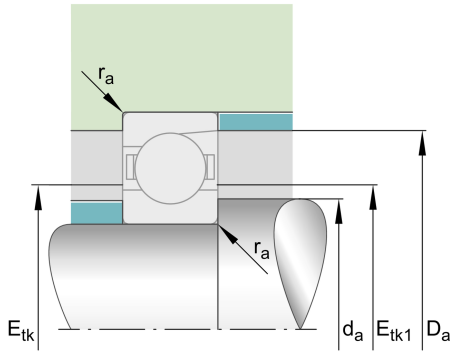


FAG**B7200-E-T-P4S-UL**

Spindle bearing

Schaeffler ID:
0191557940000Spindle bearings B72...-E, adjusted, in pairs or sets, contact angle $\alpha = 25^\circ$, restricted tolerances

Technical information

**Temperature range**

T_{\min}	-30 °C	Operating temperature min.
T_{\max}	100 °C	Operating temperature max.
	35 g	Weight

Main Dimensions & Performance Data

d	10 mm	Bore diameter
D	30 mm	Outside diameter
B	9 mm	Width
C_r	6.600 N	Basic dynamic load rating, radial
C_{0r}	2.800 N	Basic static load rating, radial
C_{ur}	305 N	Fatigue load limit, radial
$n_{G \text{ Grease}}$	50.000 1/min	Limiting speed for grease lubrication
$n_{G \text{ Oil}}$	75.000 1/min	Limiting speed for oil lubrication

Dimensions

r_{\min}	0,6 mm	Minimum chamfer dimension
$r_{1 \min}$	0,6 mm	Minimum chamfer dimension
α	25 °	Contact angle

Mounting dimensions

d_a	14,5 mm	Diameter shaft shoulder
d_a	h12	Diameter shaft shoulder clearance
D_a	25,5 mm	Shoulder diameter outer ring
D_a	H12	Shoulder diameter outer ring clearance
$r_{a \max}$	0,6 mm	Maximum recess radius
$r_{a1 \max}$	0,3 mm	Maximum recess radius
$E_{tk \min}$	18 mm	Minimum diameter injection pitch
$E_{tk \max}$	19,2 mm	Maximum diameter injection pitch
$E_{tk1 \min}$	18 mm	Minimum diameter injection pitch
$E_{tk1 \max}$	19,2 mm	Maximum diameter injection pitch
a	9,3 mm	Distance between the apexes of the pressure cones

Additional information

F_{VL}	32 N	Preload force light
F_{VM}	141 N	Preload force medium
F_{VH}	314 N	Preload force heavy
K_{aEL}	94 N	Lift-off force light
K_{aEM}	429 N	Lift-off force medium
K_{aEH}	995 N	Lift-off force heavy
c_{aL}	35,8 N/ μm	Axial rigidity light
c_{aM}	63,2 N/ μm	Axial rigidity medium
c_{aH}	88,8 N/ μm	Axial rigidity heavy