

FAG

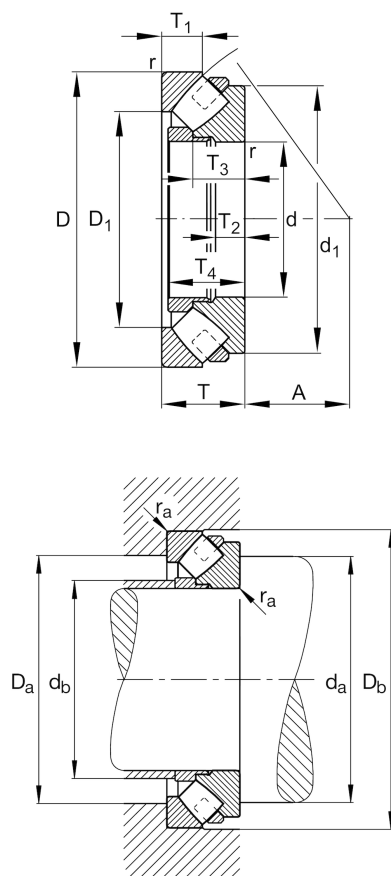
## ★ 29248-E1-MB

Axial spherical roller bearing

Schaeffler ID:  
0389994550000Axial spherical roller bearing 292..-E1-MB,  
with flanging ring

★ Preferred product

## Technical information



## Temperature range

$T_{min}$	-30 °C	Operating temperature min.
$T_{max}$	200 °C	Operating temperature max.
	16,913 kg	Weight

## Main Dimensions &amp; Performance Data

d	240 mm	Bore diameter
D	340 mm	Outside diameter
T	60 mm	Section height
$C_a$	1.010.000 N	Basic dynamic load rating, axial
$C_{0a}$	4.150.000 N	Basic static load rating, axial
$C_{ua}$	470.000 N	Fatigue load limit, axial
$n_G$	1.890 1/min	Limiting speed
$n_{gr}$	1.060 1/min	Reference speed

## Dimensions

$D_1$	283 mm	Bore diameter housing washer
$d_1$	320 mm	Rip diameter shaft washer
$r_{min}$	2,1 mm	Minimum chamfer dimension
$T_1$	30 mm	Height of the housing washer
$T_2$	22 mm	Height of shaft washer
$T_3$	37 mm	Height of the shaft washer
$T_4$	57 mm	Height of shaft washer, inc. lip ring
A	130 mm	Distance of the center point

## Mounting dimensions

$d_{a min}$	290 mm	Minimum diameter shaft shoulder
$D_{a max}$	311 mm	Maximum diameter of housing shoulder
$D_{b min}$	344 mm	Minimum bore diameter housing
$d_{b max}$	250 mm	Maximum distance sleeve
$r_{a max}$	2,1 mm	Maximum recess radius