

FAG

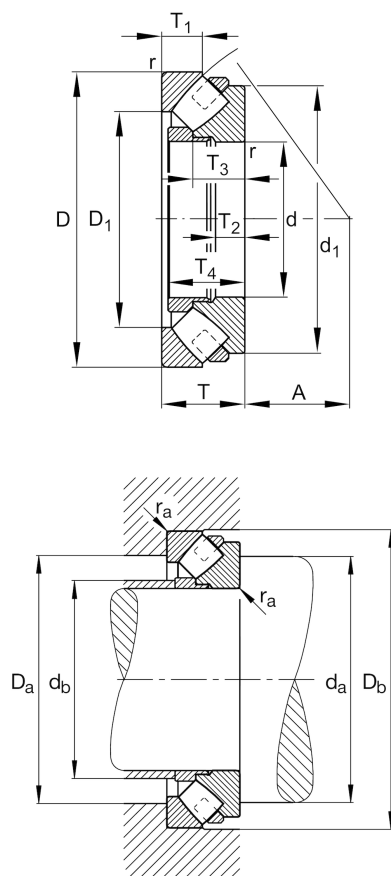
## ★ 29252-E1-MB

Axial spherical roller bearing

Schaeffler ID:  
0389994630000Axial spherical roller bearing 292..-E1-MB,  
with flanging ring

★ Preferred product

## Technical information



## Temperature range

$T_{\min}$	-30 °C	Operating temperature min.
$T_{\max}$	200 °C	Operating temperature max.
	18,74 kg	Weight

## Main Dimensions &amp; Performance Data

d	260 mm	Bore diameter
D	360 mm	Outside diameter
T	60 mm	Section height
$C_a$	1.040.000 N	Basic dynamic load rating, axial
$C_{0a}$	4.550.000 N	Basic static load rating, axial
$C_{ua}$	510.000 N	Fatigue load limit, axial
$n_G$	1.780 1/min	Limiting speed
$n_{gr}$	970 1/min	Reference speed

## Dimensions

$D_1$	302 mm	Bore diameter housing washer
$d_1$	340 mm	Rip diameter shaft washer
$r_{\min}$	2,1 mm	Minimum chamfer dimension
$T_1$	30 mm	Height of the housing washer
$T_2$	22 mm	Height of shaft washer
$T_3$	38 mm	Height of the shaft washer
$T_4$	57 mm	Height of shaft washer, inc. lip ring
A	139 mm	Distance of the center point

## Mounting dimensions

$d_{a \min}$	310 mm	Minimum diameter shaft shoulder
$D_{a \max}$	331 mm	Maximum diameter of housing shoulder
$D_{b \min}$	365 mm	Minimum bore diameter housing
$d_{b \max}$	271 mm	Maximum distance sleeve
$r_{a \max}$	2 mm	Maximum recess radius