

FAG

★ 29317-E1-XL

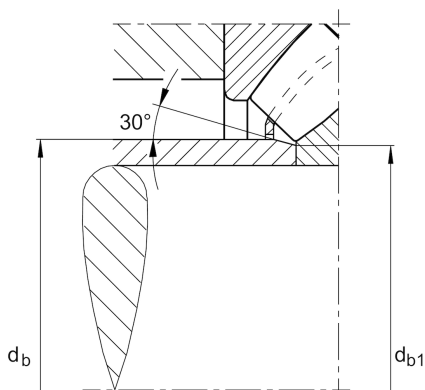
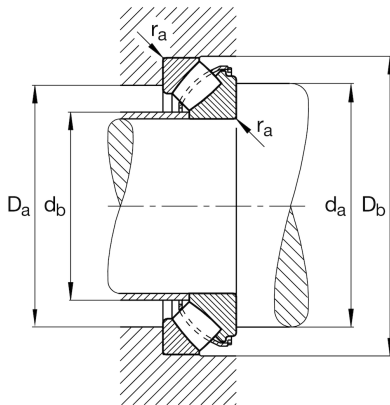
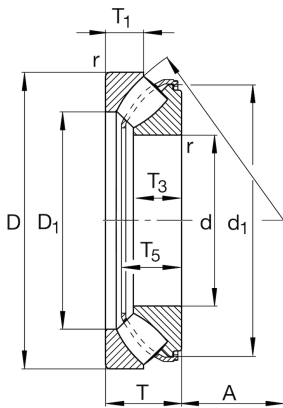
Axial spherical roller bearing

Schaeffler ID:
0389997140000Axial spherical roller bearing 293..-E1-XL,
no flanging ring

★ Preferred product

X-life

Technical information



Temperature range

T_{min}	-30 °C	Operating temperature min.
T_{max}	200 °C	Operating temperature max.
	2,62 kg	Weight

Main Dimensions & Performance Data

d	85 mm	Bore diameter
D	150 mm	Outside diameter
T	39 mm	Height
C_a	420.000 N	Basic dynamic load rating, axial
C_{0a}	1.110.000 N	Basic static load rating, axial
C_{ua}	158.000 N	Fatigue load limit, axial
n_G	4.850 1/min	Limiting speed
n_{gr}	2.260 1/min	Reference speed

Dimensions

D_1	109,5 mm	Bore diameter housing washer
d_1	138,5 mm	Rip diameter shaft washer
r_{min}	1,5 mm	Minimum chamfer dimension
T_1	20 mm	Height of the housing washer
T_3	24,5 mm	Height of the shaft washer
T_5	34,5 mm	Distance shaft washer - cage
A	50 mm	Distance of the center point

Mounting dimensions

$d_{a min}$	120 mm	Minimum diameter shaft shoulder
$D_{a max}$	129 mm	Maximum diameter of housing shoulder
$D_{b min}$	153 mm	Minimum bore diameter housing
$d_{b max}$	92 mm	Maximum distance sleeve
$r_{a max}$	1,5 mm	Maximum recess radius