

FAG

★ 29322-E1-XL

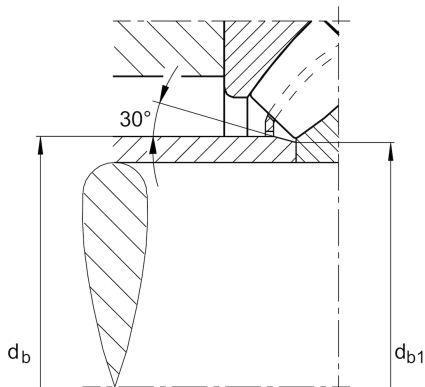
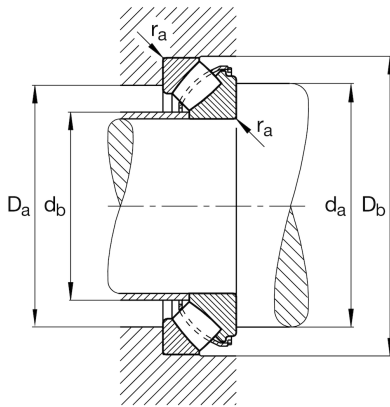
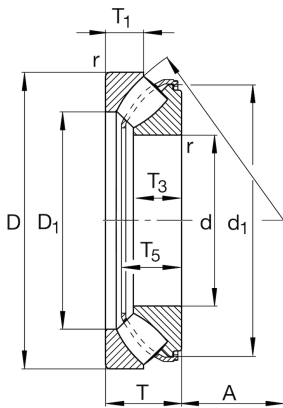
Axial spherical roller bearing

Schaeffler ID:
0389997570000Axial spherical roller bearing 293..-E1-XL,
no flanging ring

★ Preferred product

X-life

Technical information



Temperature range

T_{\min}	-30 °C	Operating temperature min.
T_{\max}	200 °C	Operating temperature max.
	5,06 kg	Weight

Main Dimensions & Performance Data

d	110 mm	Bore diameter
D	190 mm	Outside diameter
T	48 mm	Height
C_a	620.000 N	Basic dynamic load rating, axial
C_{0a}	1.760.000 N	Basic static load rating, axial
C_{ua}	235.000 N	Fatigue load limit, axial
n_G	3.750 1/min	Limiting speed
n_{gr}	1.830 1/min	Reference speed

Dimensions

D_1	140 mm	Bore diameter housing washer
d_1	175,6 mm	Rip diameter shaft washer
r_{\min}	2 mm	Minimum chamfer dimension
T_1	24,8 mm	Height of the housing washer
T_3	30,3 mm	Height of the shaft washer
T_5	42 mm	Distance shaft washer - cage
A	64 mm	Distance of the center point

Mounting dimensions

$d_{a \min}$	150 mm	Minimum diameter shaft shoulder
$D_{a \max}$	165 mm	Maximum diameter of housing shoulder
$D_{b \min}$	193 mm	Minimum bore diameter housing
$d_{b \max}$	120 mm	Maximum distance sleeve
$r_{a \max}$	2 mm	Maximum recess radius