

FAG

★ 29326-E1-XL

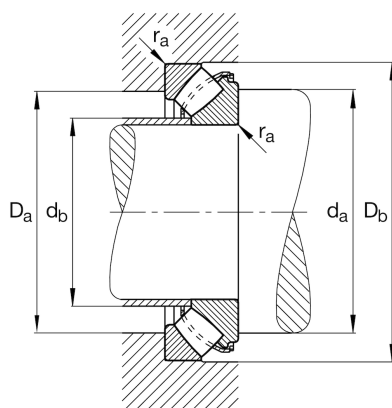
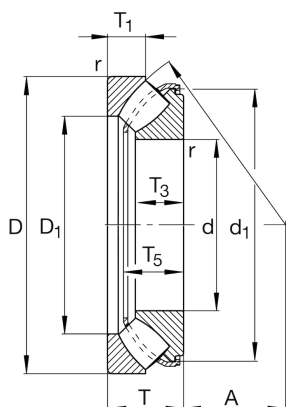
Axial spherical roller bearing

Schaeffler ID:
0389997900000Axial spherical roller bearing 293..-E1-XL,
no flanging ring

★ Preferred product

X-life

Technical information



Temperature range

T_{min}	-30 °C	Operating temperature min.
T_{max}	200 °C	Operating temperature max.
	8,668 kg	Weight

Main Dimensions & Performance Data

d	130 mm	Bore diameter
D	225 mm	Outside diameter
T	58 mm	Height
C_a	900.000 N	Basic dynamic load rating, axial
C_{0a}	2.600.000 N	Basic static load rating, axial
C_{ua}	325.000 N	Fatigue load limit, axial
n_G	3.100 1/min	Limiting speed
n_{gr}	1.590 1/min	Reference speed

Dimensions

D_1	165,5 mm	Bore diameter housing washer
d_1	207,9 mm	Rip diameter shaft washer
r_{min}	2,1 mm	Minimum chamfer dimension
T_1	30,1 mm	Height of the housing washer
T_3	36,7 mm	Height of the shaft washer
T_5	50,5 mm	Distance shaft washer - cage
A	76 mm	Distance of the center point

Mounting dimensions

$d_{a \min}$	180 mm	Minimum diameter shaft shoulder
$D_{a \max}$	195 mm	Maximum diameter of housing shoulder
$D_{b \min}$	228 mm	Minimum bore diameter housing
$d_{b \max}$	143 mm	Maximum distance sleeve
$d_{b1 \max}$	139 mm	Maximum chamfer diameter of distance sleeve
$r_{a \max}$	2,1 mm	Maximum recess radius
	30 °	Angle of chamfer of the distance sleeve

