

FAG

## ★ 29330-E1-XL

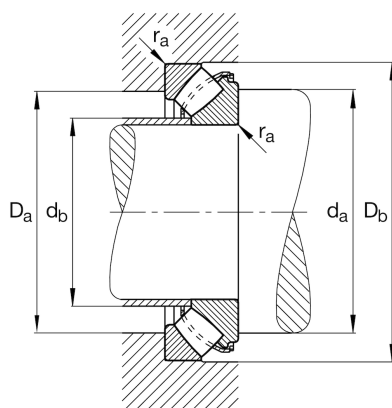
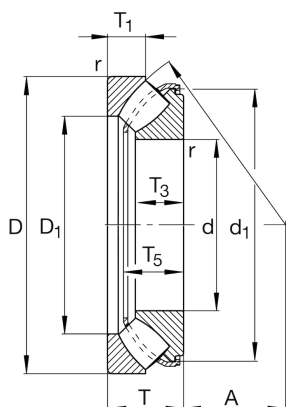
Axial spherical roller bearing

Schaeffler ID:  
0389998380000Axial spherical roller bearing 293..-E1-XL,  
no flanging ring

★ Preferred product

X-life

## Technical information



## Temperature range

$T_{min}$	-30 °C	Operating temperature min.
$T_{max}$	200 °C	Operating temperature max.
	10,22 kg	Weight

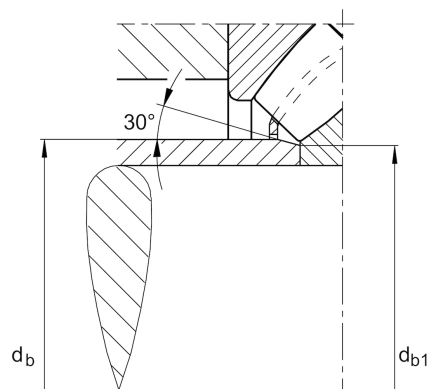
## Main Dimensions &amp; Performance Data

d	150 mm	Bore diameter
D	250 mm	Outside diameter
T	60 mm	Height
$C_a$	1.020.000 N	Basic dynamic load rating, axial
$C_{0a}$	2.900.000 N	Basic static load rating, axial
$C_{ua}$	385.000 N	Fatigue load limit, axial
$n_G$	2.750 1/min	Limiting speed
$n_{gr}$	1.400 1/min	Reference speed

## Dimensions

$D_1$	190 mm	Bore diameter housing washer
$d_1$	228,4 mm	Rip diameter shaft washer
$r_{min}$	2,1 mm	Minimum chamfer dimension
$T_1$	28 mm	Height of the housing washer
$T_3$	38 mm	Height of the shaft washer
$T_5$	54,5 mm	Distance shaft washer - cage
A	87 mm	Distance of the center point

## Mounting dimensions



$d_{a \min}$	195 mm	Minimum diameter shaft shoulder
$D_{a \max}$	220 mm	Maximum diameter of housing shoulder
$D_{b \min}$	254 mm	Minimum bore diameter housing
$d_{b \max}$	163 mm	Maximum distance sleeve
$d_{b1 \max}$	159 mm	Maximum chamfer diameter of distance sleeve
$r_{a \max}$	2,1 mm	Maximum recess radius
	$30^\circ$	Angle of chamfer of the distance sleeve