

FAG

★ 29334-E1-XL

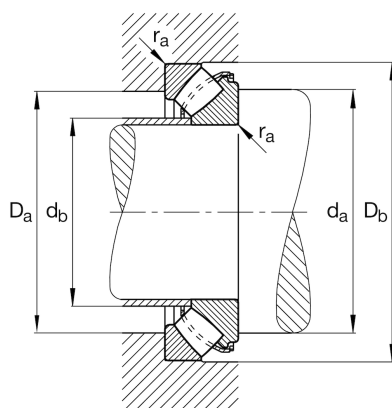
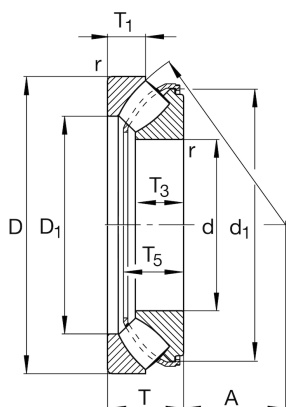
Axial spherical roller bearing

Schaeffler ID:
0389998700000Axial spherical roller bearing 293..-E1-XL,
no flanging ring

★ Preferred product

X-life

Technical information



Temperature range

T_{min}	-30 °C	Operating temperature min.
T_{max}	200 °C	Operating temperature max.
	13,92 kg	Weight

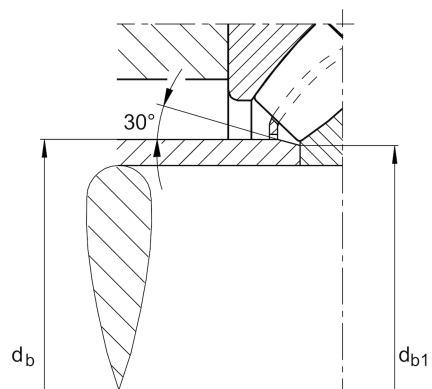
Main Dimensions & Performance Data

d	170 mm	Bore diameter
D	280 mm	Outside diameter
T	67 mm	Height
C_a	1.230.000 N	Basic dynamic load rating, axial
C_{0a}	3.500.000 N	Basic static load rating, axial
C_{ua}	455.000 N	Fatigue load limit, axial
n_G	2.390 1/min	Limiting speed
n_{gr}	1.260 1/min	Reference speed

Dimensions

D_1	215 mm	Bore diameter housing washer
d_1	255,7 mm	Rip diameter shaft washer
r_{min}	3 mm	Minimum chamfer dimension
T_1	30,5 mm	Height of the housing washer
T_3	42,2 mm	Height of the shaft washer
T_5	60,5 mm	Distance shaft washer - cage
A	96 mm	Distance of the center point

Mounting dimensions



$d_{a \min}$	220 mm	Minimum diameter shaft shoulder
$D_{a \max}$	247 mm	Maximum diameter of housing shoulder
$D_{b \min}$	284 mm	Minimum bore diameter housing
$d_{b \max}$	188 mm	Maximum distance sleeve
$d_{b1 \max}$	180 mm	Maximum chamfer diameter of distance sleeve
$r_{a \max}$	2,5 mm	Maximum recess radius
	30 °	Angle of chamfer of the distance sleeve