

FAG

★ 29336-E1-XL

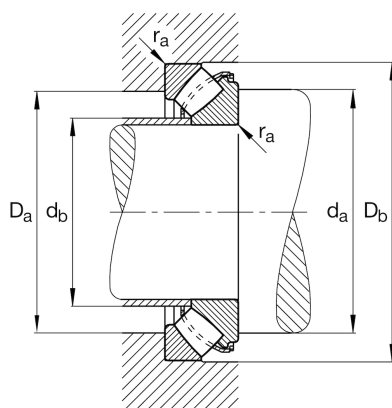
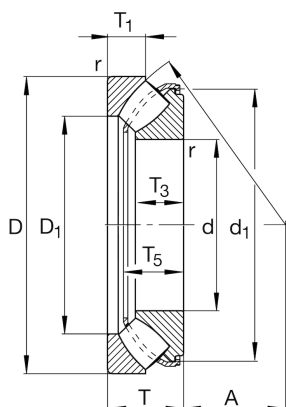
Axial spherical roller bearing

Schaeffler ID:
0389998970000Axial spherical roller bearing 293..-E1-XL,
no flanging ring

★ Preferred product

X-life

Technical information



Temperature range

T_{min}	-30 °C	Operating temperature min.
T_{max}	200 °C	Operating temperature max.
	17,994 kg	Weight

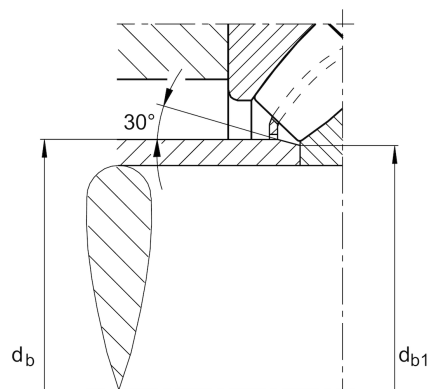
Main Dimensions & Performance Data

d	180 mm	Bore diameter
D	300 mm	Outside diameter
T	73 mm	Height
C_a	1.460.000 N	Basic dynamic load rating, axial
C_{0a}	4.300.000 N	Basic static load rating, axial
C_{ua}	530.000 N	Fatigue load limit, axial
n_G	2.240 1/min	Limiting speed
n_{gr}	1.170 1/min	Reference speed

Dimensions

D_1	227 mm	Bore diameter housing washer
d_1	274,5 mm	Rip diameter shaft washer
r_{min}	3 mm	Minimum chamfer dimension
T_1	35,5 mm	Height of the housing washer
T_3	46 mm	Height of the shaft washer
T_5	64,5 mm	Distance shaft washer - cage
A	103 mm	Distance of the center point

Mounting dimensions



$d_{a \min}$	235 mm	Minimum diameter shaft shoulder
$D_{a \max}$	263 mm	Maximum diameter of housing shoulder
$D_{b \min}$	304 mm	Minimum bore diameter housing
$d_{b \max}$	195 mm	Maximum distance sleeve
$d_{b1 \max}$	190 mm	Maximum chamfer diameter of distance sleeve
$r_{a \max}$	2,5 mm	Maximum recess radius
	30°	Angle of chamfer of the distance sleeve