

FAG

## ★ 29338-E1-XL

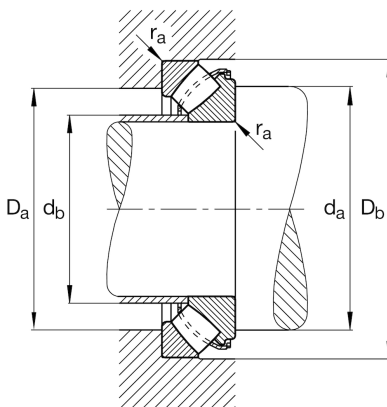
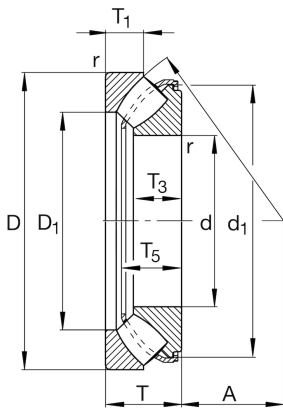
Axial spherical roller bearing

Schaeffler ID:  
0389999190000Axial spherical roller bearing 293..-E1-XL,  
no flanging ring

★ Preferred product

X-life

## Technical information



## Temperature range

$T_{min}$	-30 °C	Operating temperature min.
$T_{max}$	200 °C	Operating temperature max.
	22,183 kg	Weight

## Main Dimensions &amp; Performance Data

d	190 mm	Bore diameter
D	320 mm	Outside diameter
T	78 mm	Height
$C_a$	1.680.000 N	Basic dynamic load rating, axial
$C_{0a}$	4.850.000 N	Basic static load rating, axial
$C_{ua}$	600.000 N	Fatigue load limit, axial
$n_G$	2.070 1/min	Limiting speed
$n_{gr}$	1.090 1/min	Reference speed

## Dimensions

$D_1$	243,5 mm	Bore diameter housing washer
$d_1$	290,1 mm	Rip diameter shaft washer
$r_{min}$	4 mm	Minimum chamfer dimension
$T_1$	36 mm	Height of the housing washer
$T_3$	49 mm	Height of the shaft washer
$T_5$	70 mm	Distance shaft washer - cage
A	110 mm	Distance of the center point

## Mounting dimensions

$d_{a \min}$	250 mm	Minimum diameter shaft shoulder
$D_{a \max}$	281 mm	Maximum diameter of housing shoulder
$D_{b \min}$	325 mm	Minimum bore diameter housing
$d_{b \max}$	211 mm	Maximum distance sleeve
$d_{b1 \max}$	201 mm	Maximum chamfer diameter of distance sleeve
$r_{a \max}$	3 mm	Maximum recess radius
	$30^\circ$	Angle of chamfer of the distance sleeve

