

FAG

★ 29340-E1-XL

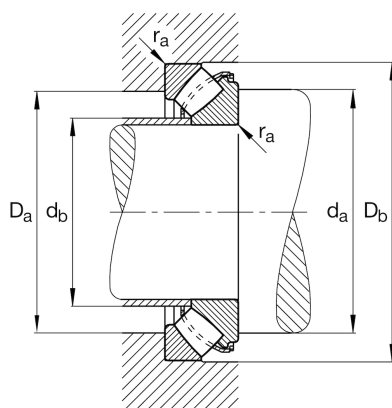
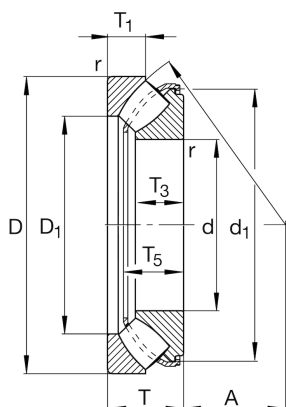
Axial spherical roller bearing

Schaeffler ID:
0389999350000Axial spherical roller bearing 293..-E1-XL,
no flanging ring

★ Preferred product

X-life

Technical information



Temperature range

T_{min}	-30 °C	Operating temperature min.
T_{max}	200 °C	Operating temperature max.
	27,14 kg	Weight

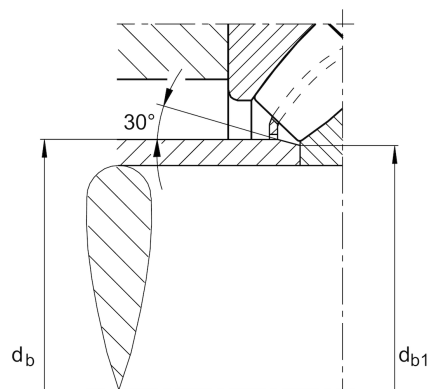
Main Dimensions & Performance Data

d	200 mm	Bore diameter
D	340 mm	Outside diameter
T	85 mm	Height
C_a	1.900.000 N	Basic dynamic load rating, axial
C_{0a}	5.600.000 N	Basic static load rating, axial
C_{ua}	670.000 N	Fatigue load limit, axial
n_G	1.940 1/min	Limiting speed
n_{gr}	1.030 1/min	Reference speed

Dimensions

D_1	257 mm	Bore diameter housing washer
d_1	308,8 mm	Rip diameter shaft washer
r_{min}	4 mm	Minimum chamfer dimension
T_1	40 mm	Height of the housing washer
T_3	53,5 mm	Height of the shaft washer
T_5	75,5 mm	Distance shaft washer - cage
A	116 mm	Distance of the center point

Mounting dimensions



$d_{a \min}$	265 mm	Minimum diameter shaft shoulder
$D_{a \max}$	298 mm	Maximum diameter of housing shoulder
$D_{b \min}$	348 mm	Minimum bore diameter housing
$d_{b \max}$	224 mm	Maximum distance sleeve
$d_{b1 \max}$	213 mm	Maximum chamfer diameter of distance sleeve
$r_{a \max}$	3 mm	Maximum recess radius
	30°	Angle of chamfer of the distance sleeve