

FAG

## ★ 29348-E1-XL

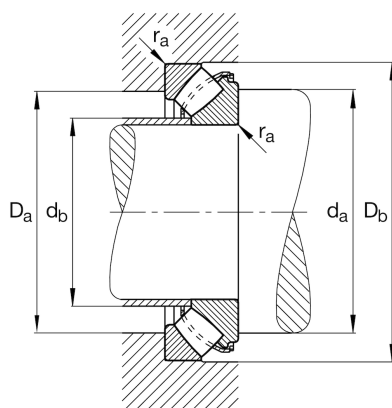
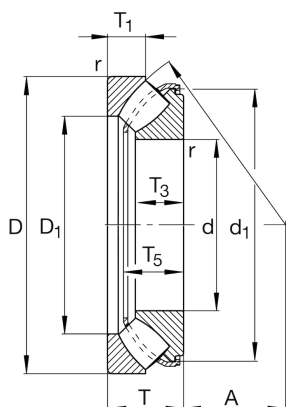
Axial spherical roller bearing

Schaeffler ID:  
0389999780000Axial spherical roller bearing 293..-E1-XL,  
no flanging ring

★ Preferred product

X-life

## Technical information



## Temperature range

$T_{min}$	-30 °C	Operating temperature min.
$T_{max}$	200 °C	Operating temperature max.
	32,32 kg	Weight

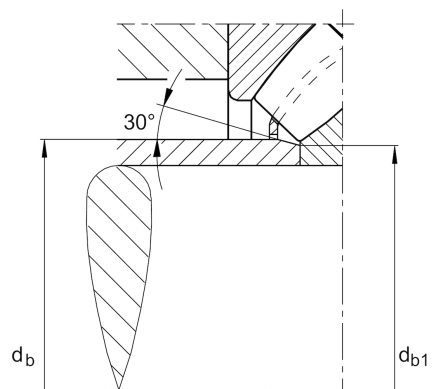
## Main Dimensions &amp; Performance Data

d	240 mm	Bore diameter
D	380 mm	Outside diameter
T	85 mm	Height
$C_a$	2.040.000 N	Basic dynamic load rating, axial
$C_{0a}$	6.500.000 N	Basic static load rating, axial
$C_{ua}$	770.000 N	Fatigue load limit, axial
$n_G$	1.710 1/min	Limiting speed
$n_{gr}$	880 1/min	Reference speed

## Dimensions

$D_1$	295,5 mm	Bore diameter housing washer
$d_1$	350,6 mm	Rip diameter shaft washer
$r_{min}$	4 mm	Minimum chamfer dimension
$T_1$	40,5 mm	Height of the housing washer
$T_3$	54 mm	Height of the shaft washer
$T_5$	76,1 mm	Distance shaft washer - cage
A	135 mm	Distance of the center point

### Mounting dimensions



$d_{a \min}$	305 mm	Minimum diameter shaft shoulder
$D_{a \max}$	337 mm	Maximum diameter of housing shoulder
$D_{b \min}$	390 mm	Minimum bore diameter housing
$d_{b \max}$	259 mm	Maximum distance sleeve
$d_{b1 \max}$	252 mm	Maximum chamfer diameter of distance sleeve
$r_{a \max}$	3 mm	Maximum recess radius
	$30^\circ$	Angle of chamfer of the distance sleeve