

FAG

## ★ 29412-E1-XL

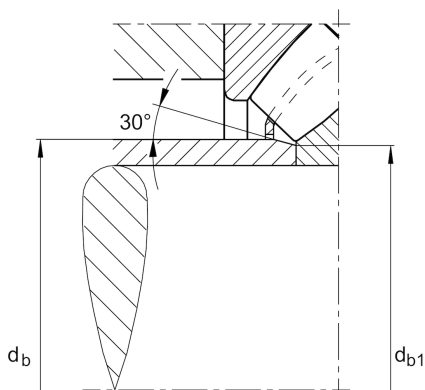
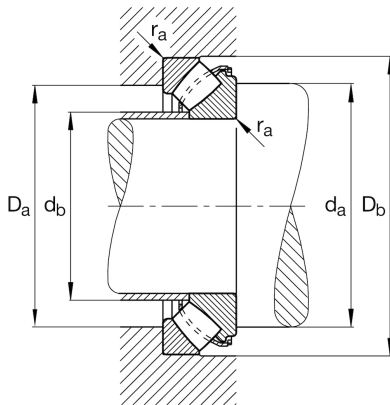
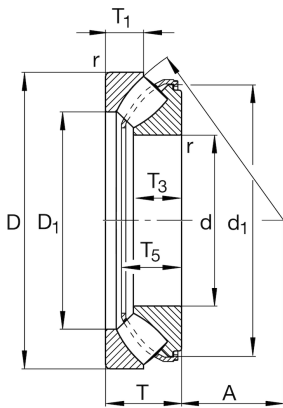
Axial spherical roller bearing

Schaeffler ID:  
0390002730000Axial spherical roller bearing 294..-E1-XL,  
no flanging ring

★ Preferred product

X-life

## Technical information



## Temperature range

$T_{min}$	-30 °C	Operating temperature min.
$T_{max}$	200 °C	Operating temperature max.
	2,45 kg	Weight

## Main Dimensions &amp; Performance Data

d	60 mm	Bore diameter
D	130 mm	Outside diameter
T	42 mm	Height
$C_a$	410.000 N	Basic dynamic load rating, axial
$C_{0a}$	940.000 N	Basic static load rating, axial
$C_{ua}$	117.000 N	Fatigue load limit, axial
$n_G$	6.000 1/min	Limiting speed
$n_{gr}$	2.850 1/min	Reference speed

## Dimensions

$D_1$	85,5 mm	Bore diameter housing washer
$d_1$	116,5 mm	Rip diameter shaft washer
$r_{min}$	1,5 mm	Minimum chamfer dimension
$T_1$	21 mm	Height of the housing washer
$T_3$	27 mm	Height of the shaft washer
$T_5$	37,5 mm	Distance shaft washer - cage
A	38 mm	Distance of the center point

## Mounting dimensions

$d_{a min}$	95 mm	Minimum diameter shaft shoulder
$D_{a max}$	107 mm	Maximum diameter of housing shoulder
$D_{b min}$	133 mm	Minimum bore diameter housing
$d_{b max}$	67 mm	Maximum distance sleeve
$r_{a max}$	1,5 mm	Maximum recess radius