

FAG

★ 29430-E1-XL

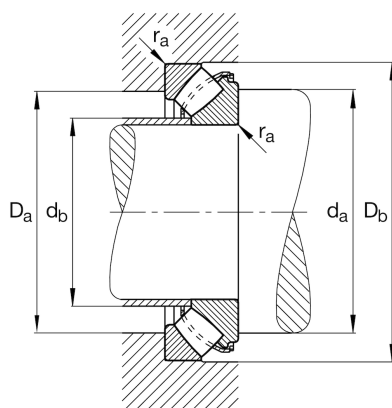
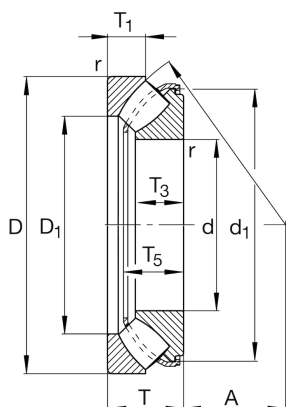
Axial spherical roller bearing

Schaeffler ID:
0390004780000Axial spherical roller bearing 294..-E1-XL,
no flanging ring

★ Preferred product

X-life

Technical information



Temperature range

T_{min}	-30 °C	Operating temperature min.
T_{max}	200 °C	Operating temperature max.
	26,54 kg	Weight

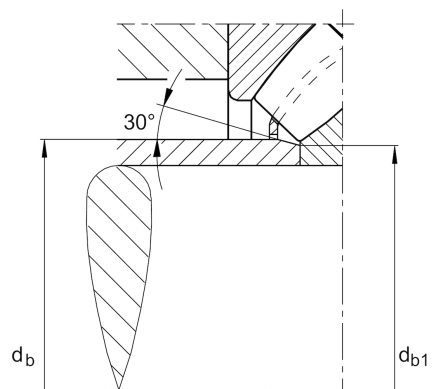
Main Dimensions & Performance Data

d	150 mm	Bore diameter
D	300 mm	Outside diameter
T	90 mm	Height
C_a	2.000.000 N	Basic dynamic load rating, axial
C_{0a}	5.300.000 N	Basic static load rating, axial
C_{ua}	560.000 N	Fatigue load limit, axial
n_G	2.290 1/min	Limiting speed
n_{gr}	1.180 1/min	Reference speed

Dimensions

D_1	207,5 mm	Bore diameter housing washer
d_1	267,4 mm	Rip diameter shaft washer
r_{min}	4 mm	Minimum chamfer dimension
T_1	43,4 mm	Height of the housing washer
T_3	58 mm	Height of the shaft washer
T_5	80,5 mm	Distance shaft washer - cage
A	92 mm	Distance of the center point

Mounting dimensions



$d_{a \min}$	220 mm	Minimum diameter shaft shoulder
$D_{a \max}$	253 mm	Maximum diameter of housing shoulder
$D_{b \min}$	306 mm	Minimum bore diameter housing
$d_{b \max}$	175 mm	Maximum distance sleeve
$d_{b1 \max}$	164 mm	Maximum chamfer diameter of distance sleeve
$r_{a \max}$	3 mm	Maximum recess radius
	30°	Angle of chamfer of the distance sleeve