



FAG

★ N202-E-XL-TVP2

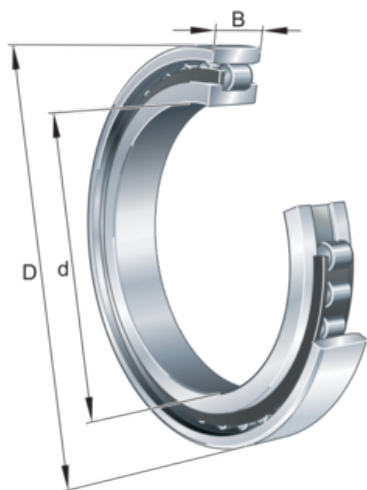
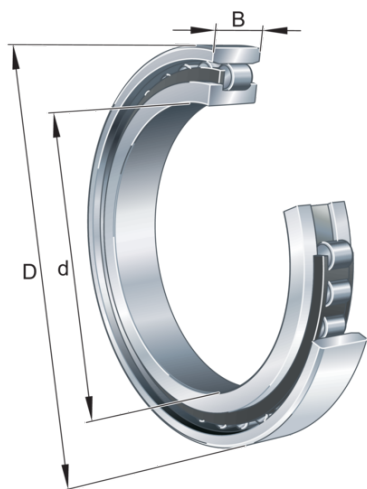
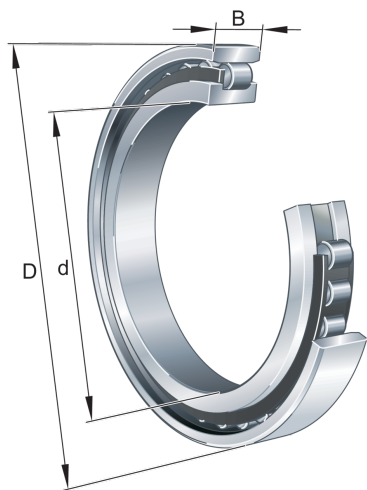
Cylindrical roller bearing

Schaeffler ID:
0192171450000

★ Preferred product

Cylindrical roller bearing N2..-E-TVP, with cage, single row, non-locating bearing, 0 ribs on outer ring, 2 rib on inner ring, type N2

Technical information



Temperature range

T_{\min}	-30 °C	Operating temperature min.
T_{\max}	120 °C	Operating temperature max.
	47,32 g	Weight

Main Dimensions & Performance Data

d	15 mm	Bore diameter
D	35 mm	Outside diameter
B	11 mm	Width
C_r	15.100 N	Basic dynamic load rating, radial
C_{0r}	10.400 N	Basic static load rating, radial
C_{ur}	1.640 N	Fatigue load limit, radial
$n_{G \text{ Grease}}$	22.900 1/min	Limiting speed for grease lubrication
$n_{G \text{ Oil}}$	27.000 1/min	Limiting speed for oil lubrication

Dimensions

$r_{1 \min}$	0,3 mm	Minimum chamfer dimension
s_1	0,5 mm	Axial displacement
E	30,3 mm	Raceway diameter outer ring

Mounting dimensions

$d_{a \min}$	17,4 mm	Minimum diameter shaft shoulder
$D_{a \max}$	32,6 mm	Maximum diameter of housing shoulder
$r_{a1 \max}$	0,6 mm	Maximum recess radius

