



FAG

## ★ N207-E-XL-TVP2

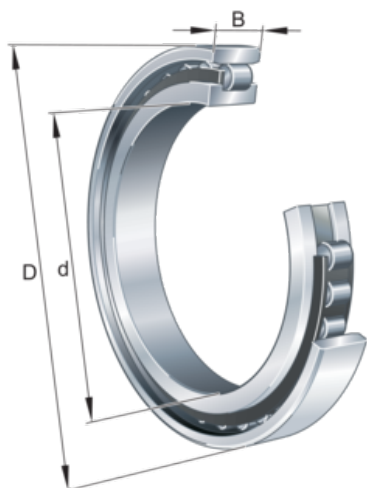
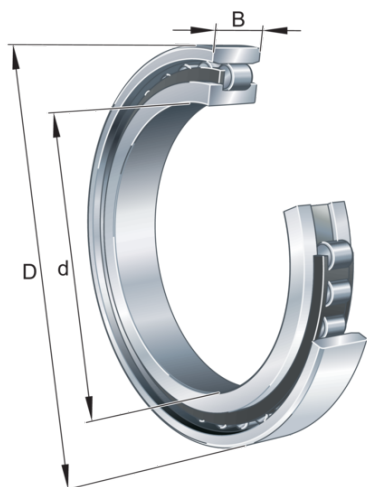
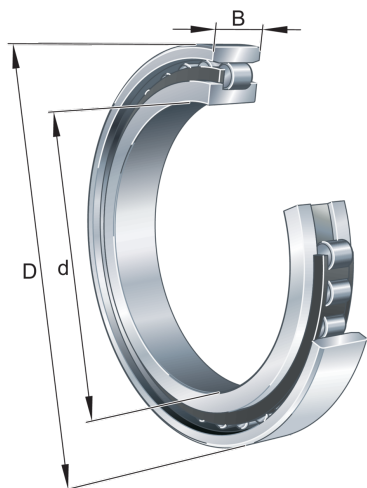
Cylindrical roller bearing

Schaeffler ID:  
0167337380000

★ Preferred product

Cylindrical roller bearing N2..-E-TVP, with cage, single row, non-locating bearing, 0 ribs on outer ring, 2 rib on inner ring, type N2

## Technical information



## Temperature range

$T_{\min}$	-30 °C	Operating temperature min.
$T_{\max}$	120 °C	Operating temperature max.
	0,304 kg	Weight

## Main Dimensions &amp; Performance Data

d	35 mm	Bore diameter
D	72 mm	Outside diameter
B	17 mm	Width
$C_r$	59.000 N	Basic dynamic load rating, radial
$C_{0r}$	50.000 N	Basic static load rating, radial
$C_{ur}$	7.800 N	Fatigue load limit, radial
$n_{G \text{ Grease}}$	10.400 1/min	Limiting speed for grease lubrication
$n_{G \text{ Oil}}$	12.300 1/min	Limiting speed for oil lubrication

## Dimensions

$r_{1 \min}$	0,6 mm	Minimum chamfer dimension
$s_1$	0,7 mm	Axial displacement
E	64 mm	Raceway diameter outer ring

## Mounting dimensions

$d_{a \min}$	39 mm	Minimum diameter shaft shoulder
$D_{a \max}$	65 mm	Maximum diameter of housing shoulder
$r_{a1 \max}$	1 mm	Maximum recess radius

