



FAG

## ★ N214-E-XL-TVP2

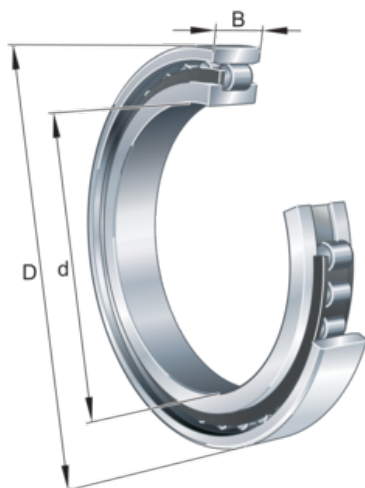
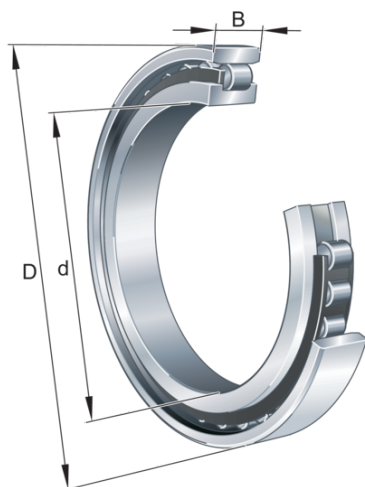
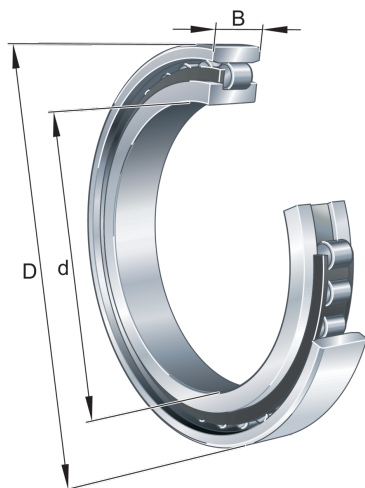
Cylindrical roller bearing

Schaeffler ID:  
0167338270000

★ Preferred product

Cylindrical roller bearing N2..-E-TVP, with cage, single row, non-locating bearing, 0 ribs on outer ring, 2 rib on inner ring, type N2

## Technical information



## Temperature range

$T_{min}$	-30 °C	Operating temperature min.
$T_{max}$	120 °C	Operating temperature max.
	1,14 kg	Weight

## Main Dimensions &amp; Performance Data

d	70 mm	Bore diameter
D	125 mm	Outside diameter
B	24 mm	Width
$C_r$	141.000 N	Basic dynamic load rating, radial
$C_{0r}$	138.000 N	Basic static load rating, radial
$C_{ur}$	24.700 N	Fatigue load limit, radial
$n_{G Grease}$	5.800 1/min	Limiting speed for grease lubrication
$n_{G Oil}$	6.800 1/min	Limiting speed for oil lubrication

## Dimensions

$r_{1 min}$	1,5 mm	Minimum chamfer dimension
$s_1$	1,2 mm	Axial displacement
E	113,5 mm	Raceway diameter outer ring

## Mounting dimensions

$d_{a min}$	79 mm	Minimum diameter shaft shoulder
$D_{a max}$	116 mm	Maximum diameter of housing shoulder
$r_{a1 max}$	1,5 mm	Maximum recess radius

