

**FAG**★ **N215-E-XL-TVP2**

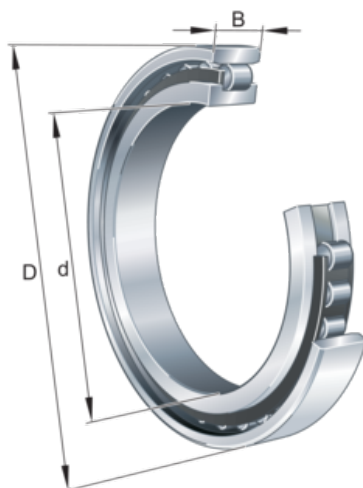
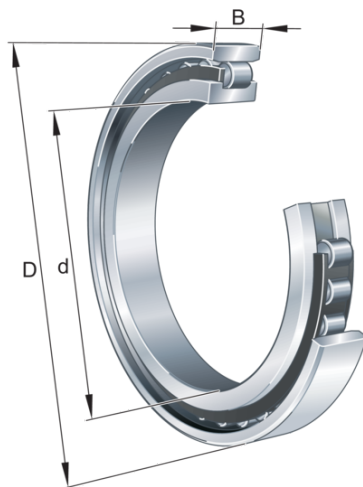
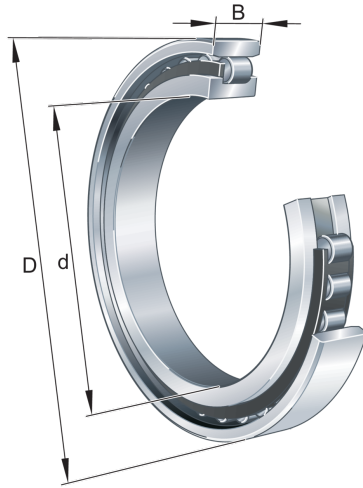
Cylindrical roller bearing

Schaeffler ID:  
0192174630000

★ Preferred product

Cylindrical roller bearing N2..-E-TVP, with cage, single row, non-locating bearing, 0 ribs on outer ring, 2 rib on inner ring, type N2

## Technical information



## Temperature range

$T_{\min}$	-30 °C	Operating temperature min.
$T_{\max}$	120 °C	Operating temperature max.
	1,22 kg	Weight

## Main Dimensions &amp; Performance Data

d	75 mm	Bore diameter
D	130 mm	Outside diameter
B	25 mm	Width
$C_r$	155.000 N	Basic dynamic load rating, radial
$C_{0r}$	157.000 N	Basic static load rating, radial
$C_{ur}$	28.000 N	Fatigue load limit, radial
$n_{G \text{ Grease}}$	5.600 1/min	Limiting speed for grease lubrication
$n_{G \text{ Oil}}$	6.500 1/min	Limiting speed for oil lubrication

## Dimensions

$r_{1 \min}$	1,5 mm	Minimum chamfer dimension
$s_1$	1,1 mm	Axial displacement
E	118,5 mm	Raceway diameter outer ring

## Mounting dimensions

$d_{a \min}$	84 mm	Minimum diameter shaft shoulder
$D_{a \max}$	121 mm	Maximum diameter of housing shoulder
$r_{a1 \max}$	1,5 mm	Maximum recess radius

