



FAG

★ N216-E-XL-TVP2

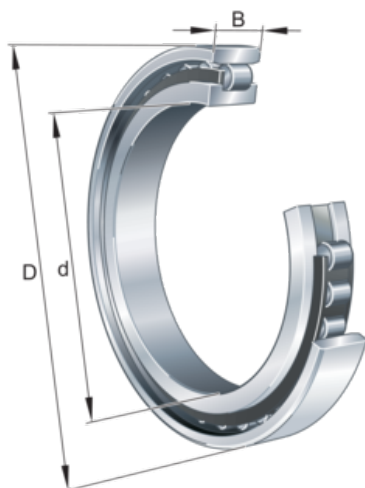
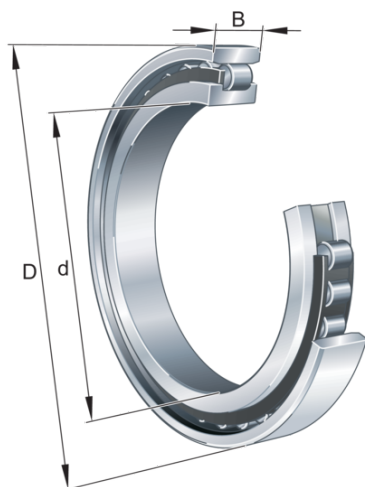
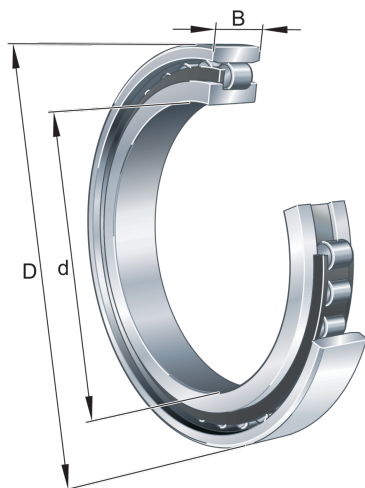
Cylindrical roller bearing

Schaeffler ID:
0167338350000

★ Preferred product

Cylindrical roller bearing N2..-E-TVP, with cage, single row, non-locating bearing, 0 ribs on outer ring, 2 rib on inner ring, type N2

Technical information



Temperature range

T_{min}	-30 °C	Operating temperature min.
T_{max}	120 °C	Operating temperature max.
	1,51 kg	Weight

Main Dimensions & Performance Data

d	80 mm	Bore diameter
D	140 mm	Outside diameter
B	26 mm	Width
C_r	166.000 N	Basic dynamic load rating, radial
C_{0r}	168.000 N	Basic static load rating, radial
C_{ur}	29.500 N	Fatigue load limit, radial
$n_{G Grease}$	5.100 1/min	Limiting speed for grease lubrication
$n_{G Oil}$	6.100 1/min	Limiting speed for oil lubrication

Dimensions

$r_{1 min}$	2 mm	Minimum chamfer dimension
s_1	1,2 mm	Axial displacement
E	127,3 mm	Raceway diameter outer ring

Mounting dimensions

$d_{a min}$	91 mm	Minimum diameter shaft shoulder
$D_{a max}$	129 mm	Maximum diameter of housing shoulder
$r_{a1 max}$	2 mm	Maximum recess radius

