



FAG

★ N217-E-XL-TVP2

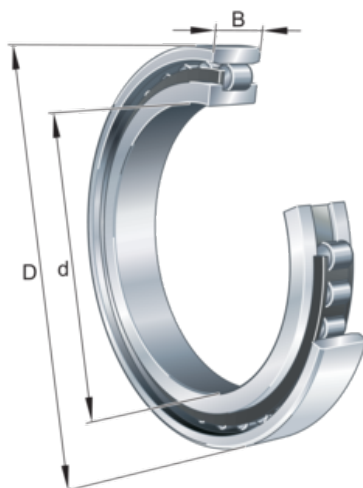
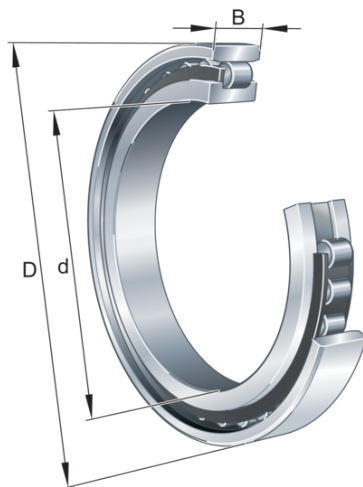
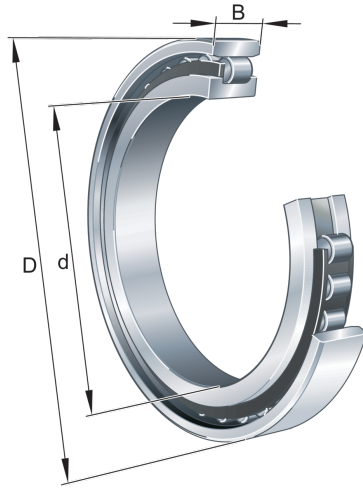
Cylindrical roller bearing

Schaeffler ID:
0167338510000

★ Preferred product

Cylindrical roller bearing N2..-E-TVP, with cage, single row, non-locating bearing, 0 ribs on outer ring, 2 rib on inner ring, type N2

Technical information



Temperature range

| | | |
|------------|---------|----------------------------|
| T_{\min} | -30 °C | Operating temperature min. |
| T_{\max} | 120 °C | Operating temperature max. |
| | 1,87 kg | Weight |

Main Dimensions & Performance Data

| | | |
|------------------------|-------------|---------------------------------------|
| d | 85 mm | Bore diameter |
| D | 150 mm | Outside diameter |
| B | 28 mm | Width |
| C_r | 194.000 N | Basic dynamic load rating, radial |
| C_{0r} | 194.000 N | Basic static load rating, radial |
| C_{ur} | 34.000 N | Fatigue load limit, radial |
| $n_{G \text{ Grease}}$ | 4.750 1/min | Limiting speed for grease lubrication |
| $n_{G \text{ Oil}}$ | 5.600 1/min | Limiting speed for oil lubrication |

Dimensions

| | | |
|--------------|----------|-----------------------------|
| $r_{1 \min}$ | 2 mm | Minimum chamfer dimension |
| s_1 | 0,7 mm | Axial displacement |
| E | 136,5 mm | Raceway diameter outer ring |

Mounting dimensions

| | | |
|---------------|--------|--------------------------------------|
| $d_{a \min}$ | 96 mm | Minimum diameter shaft shoulder |
| $D_{a \max}$ | 139 mm | Maximum diameter of housing shoulder |
| $r_{a1 \max}$ | 2 mm | Maximum recess radius |

