



FAG

★ N219-E-XL-TVP2

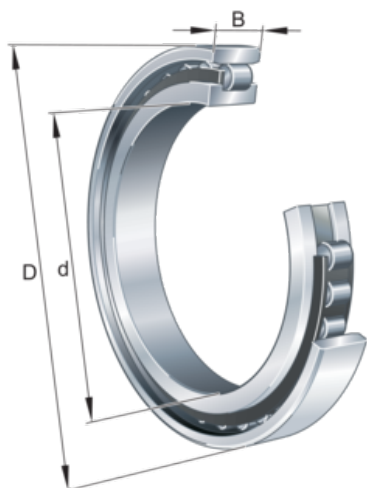
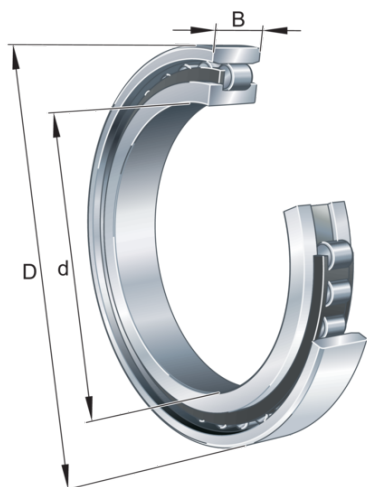
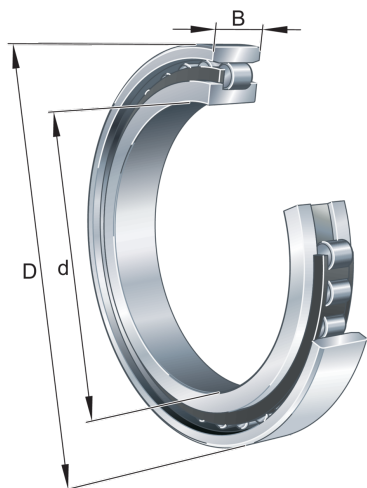
Cylindrical roller bearing

Schaeffler ID:
0192175950000

★ Preferred product

Cylindrical roller bearing N2..-E-TVP, with cage, single row, non-locating bearing, 0 ribs on outer ring, 2 rib on inner ring, type N2

Technical information



Temperature range

T_{min}	-30 °C	Operating temperature min.
T_{max}	120 °C	Operating temperature max.
	2,81 kg	Weight

Main Dimensions & Performance Data

d	95 mm	Bore diameter
D	170 mm	Outside diameter
B	32 mm	Width
C_r	260.000 N	Basic dynamic load rating, radial
C_{0r}	265.000 N	Basic static load rating, radial
C_{ur}	45.000 N	Fatigue load limit, radial
$n_{G Grease}$	4.100 1/min	Limiting speed for grease lubrication
$n_{G Oil}$	4.850 1/min	Limiting speed for oil lubrication

Dimensions

$r_{1 min}$	2,1 mm	Minimum chamfer dimension
s_1	0,6 mm	Axial displacement
E	154,5 mm	Raceway diameter outer ring

Mounting dimensions

$d_{a min}$	107 mm	Minimum diameter shaft shoulder
$D_{a max}$	158 mm	Maximum diameter of housing shoulder
$r_{a1 max}$	2,1 mm	Maximum recess radius

