



FAG

★ N312-E-XL-TVP2

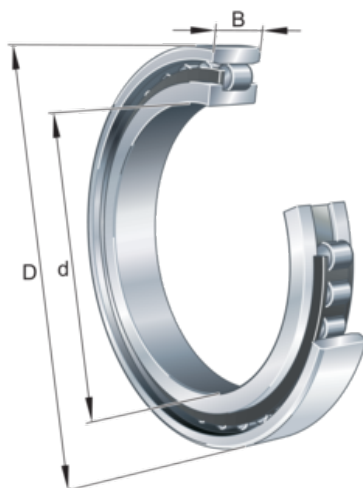
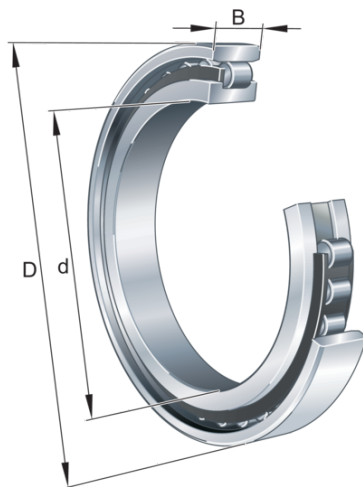
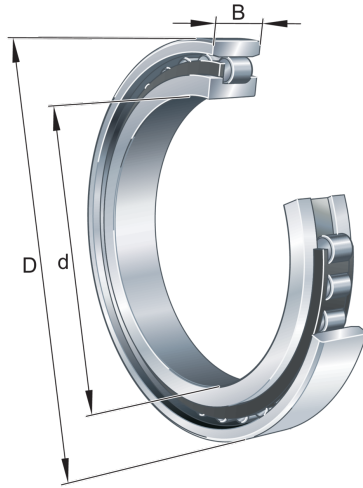
Cylindrical roller bearing

Schaeffler ID:
0192185750000

★ Preferred product

Cylindrical roller bearing N3..-E-TVP2, with cage, single row, non-locating bearing, 0 ribs on outer ring, 2 rib on inner ring, type N3

Technical information



Temperature range

T_{\min}	-30 °C	Operating temperature min.
T_{\max}	120 °C	Operating temperature max.
	1,78 kg	Weight

Main Dimensions & Performance Data

d	60 mm	Bore diameter
D	130 mm	Outside diameter
B	31 mm	Width
C_r	177.000 N	Basic dynamic load rating, radial
C_{0r}	157.000 N	Basic static load rating, radial
C_{ur}	29.000 N	Fatigue load limit, radial
$n_{G \text{ Grease}}$	5.500 1/min	Limiting speed for grease lubrication
$n_{G \text{ Oil}}$	6.500 1/min	Limiting speed for oil lubrication

Dimensions

$r_{1 \min}$	2,1 mm	Minimum chamfer dimension
s_1	1,9 mm	Axial displacement
E	115 mm	Raceway diameter outer ring

Mounting dimensions

$d_{a \min}$	72 mm	Minimum diameter shaft shoulder
$D_{a \max}$	118 mm	Maximum diameter of housing shoulder
$r_{a1 \max}$	2,1 mm	Maximum recess radius

